

HENRY BLAKE

HARDWARE

Our Story

The story of Henry Blake Hardware unfolded in 2011, after the founders realised whilst working closely with designers and architects that there was a need for quality high end customised door and cabinet hardware that did not exist.

This led to a small range of door handles and cabinet hardware that was initially inspired by the Art Deco era but brought up to date with a modern interpretation. The product line continues to evolve with a core range of premium hardware alongside custom pieces commissioned for high end residential properties and prestigious hospitality projects worldwide.

All our products are made from solid brass then finished in either a high quality plating or a hand applied living finish which will change with touch and climate giving the piece a natural patina.

If we can be of help with either our existing products which you may need in a bespoke size, or if you would like your own designs brought to life, please don't hesitate to contact us.

HENRY BLAKE

HARDWARE

Finishes

Living Finishes

- PBUL - Polished Brass Unlacquered
- SB - Satin Brass Waxed
- AB - Antique Brass Waxed
- DB - Dark Bronze Waxed
- CB - Coppered Bronze Waxed

Care & Maintenance

Living finishes will change appearance with touch & climate the occasional application of beeswax will help enhance the appearance.

Clean with a soft dry cloth, do not use cleaning abrasives.



Lacquered Finishes

- PB - Polished Brass Lacquered
- MBL - Matt Bronze Lacquered
- DBL - Dark Bronze Lacquered
- GL - Graphite Lacquered

Care & Maintenance

Clean with damp cloth or soapy water do not use cleaning abrasives, (not recommended for external use)



Plated Finishes

- SN - Satin Nickel
- PN - Polished Nickel
- PC - Polished Chrome

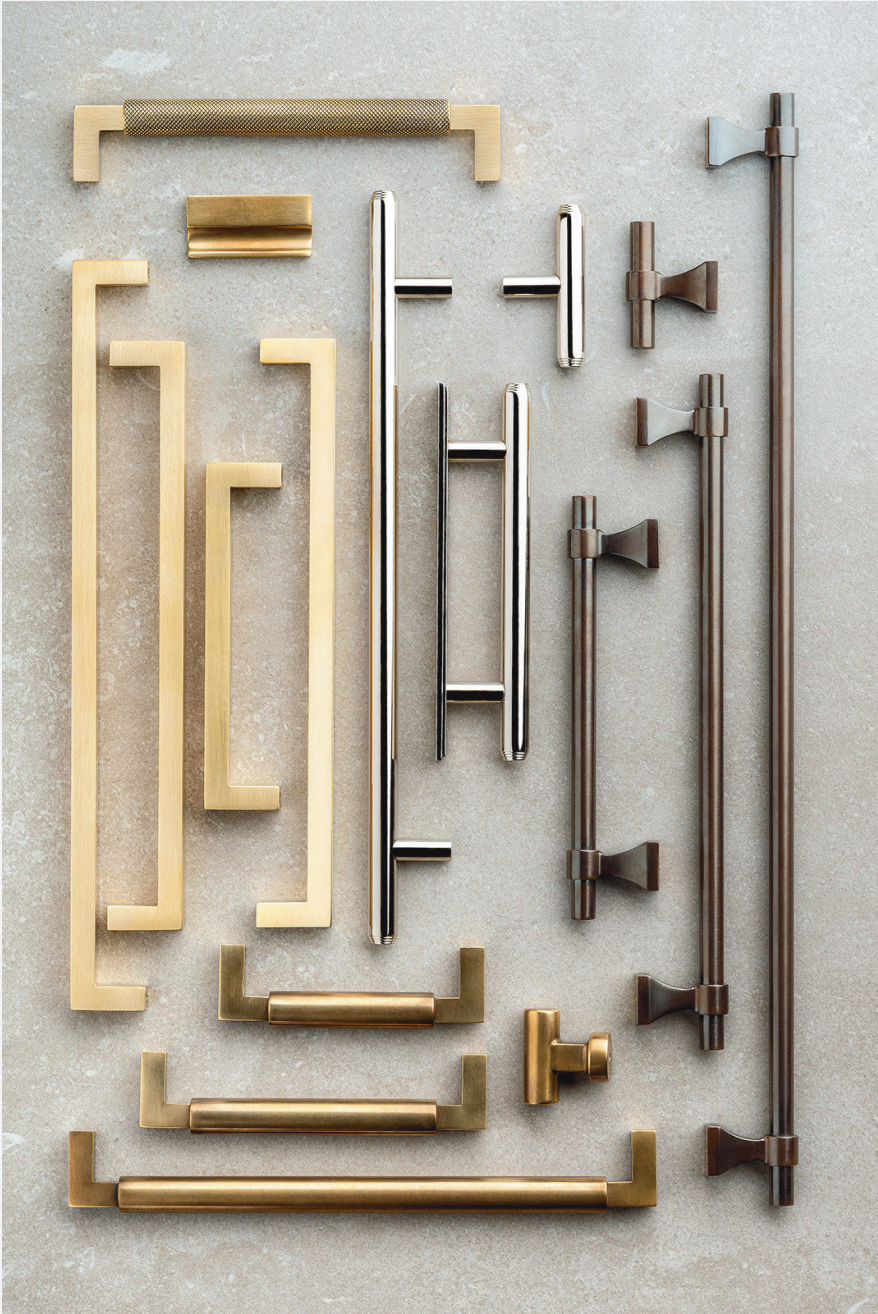
Care & Maintenance

Clean with damp cloth or soapy water do not use cleaning abrasives



Because each product will be exposed to a varying set of conditions, we do not warranty the finish of our products.

Cabinet Pulls



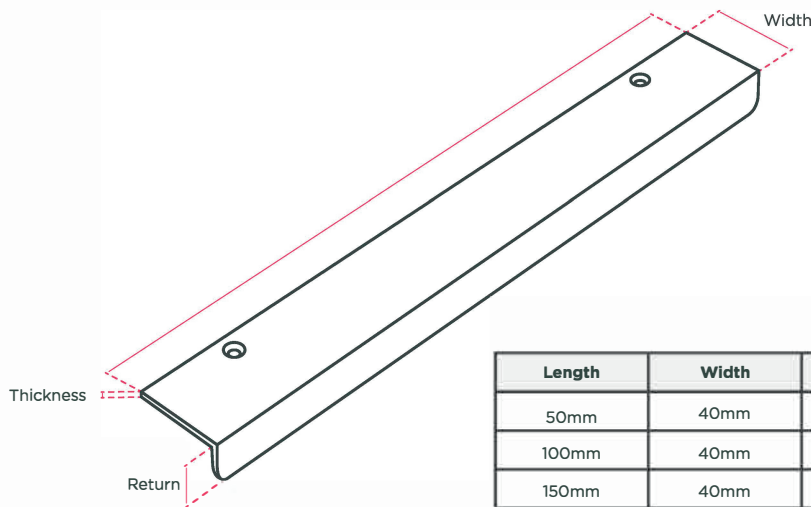
HENRY BLAKE

HARDWARE

Product Code: SK3400 | **Product Name:** Edge Catch Pull



Finish - Shown in Antique Brass | Available in all Henry Blake Hardware finishes



Fixings: Supplied with matching finished slotted flat head screws, size 6 x 3/4.

Length	Width	Return	Thickness	No of Screwholes
50mm	40mm	20mm	3mm	2
100mm	40mm	20mm	3mm	2
150mm	40mm	20mm	3mm	2
300mm	40mm	20mm	3mm	2
450mm	40mm	20mm	3mm	3
600mm	40mm	20mm	3mm	3
750mm	40mm	20mm	3mm	4
1000mm	40mm	20mm	3mm	4

Custom sizes up to 2000mm available upon request

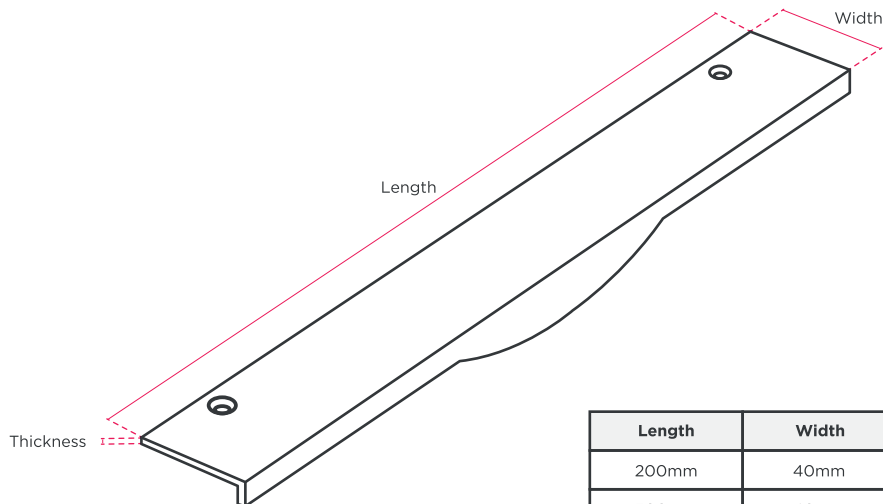
HENRY BLAKE

HARDWARE

Product Code: SK3450 | **Product Name:** Scalloped Edge Catch Pull



Finish - Shown in Antique Brass | Available in all Henry Blake Hardware finishes



Length	Width	Thickness	Screw Holes
200mm	40mm	3mm	2
300mm	40mm	3mm	2
450mm	40mm	3mm	3
600mm	40mm	3mm	3
750mm	40mm	3mm	4
1000mm	40mm	3mm	4

Fixings: Supplied with matching finished slotted flat head screws, size 6 x 3/4.

Custom sizes available upon request

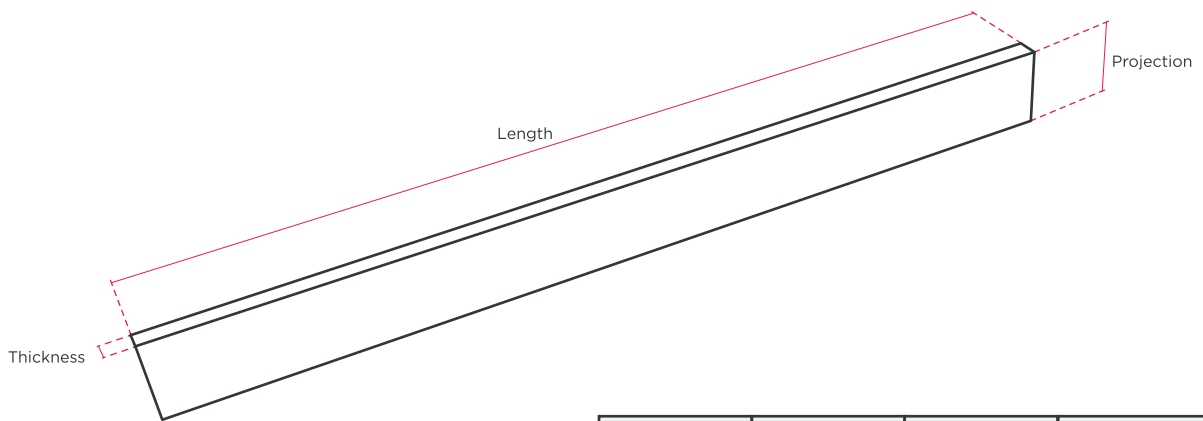
HENRY BLAKE

HARDWARE

Product Code: SK3250 | **Product Name:** Flat Bar Handle



Finish - Shown in Antique Brass | Available in all Henry Blake Hardware finishes



Length	Projection	Thickness	Centres
50mm	25mm	6mm	32mm
158mm	25mm	6mm	128mm
190mm	25mm	6mm	160mm
255mm	25mm	6mm	224mm
330mm	25mm	6mm	288mm

Fixings: Supplied 2x M4 x 30mm machine bolts

Custom sizes available upon request

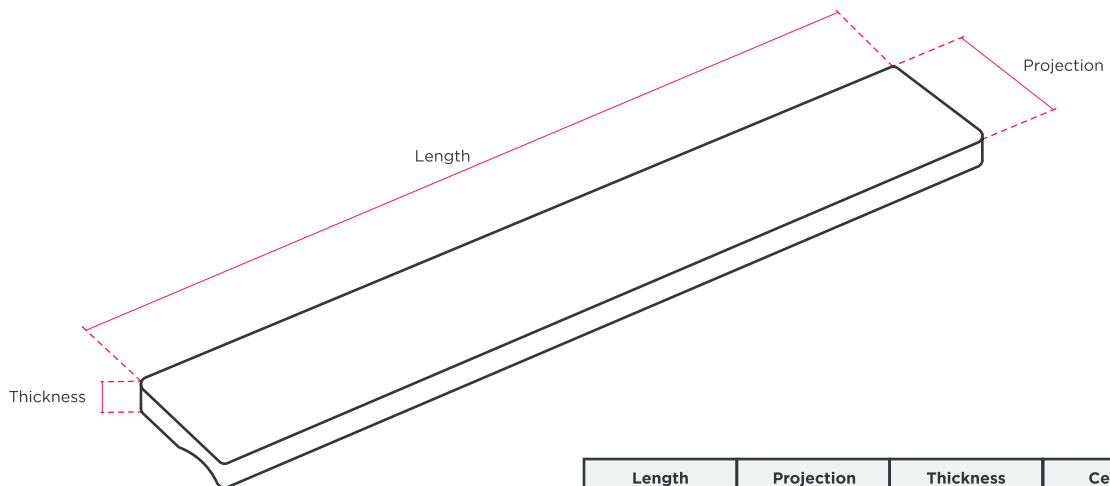
HENRY BLAKE

HARDWARE

Product Code: SK3250G | **Product Name:** Flat Bar Grooved Cabinet Pull



Finish - Shown in Antique Brass | Available in all Henry Blake Hardware finishes



Length	Projection	Thickness	Centres
50mm	25mm	6mm	32mm
158mm	25mm	6mm	128mm
190mm	25mm	6mm	160mm
255mm	25mm	6mm	224mm
330mm	25mm	6mm	288mm

Fixings: Supplied 2x M4 x 30mm machine bolts

Custom sizes available upon request

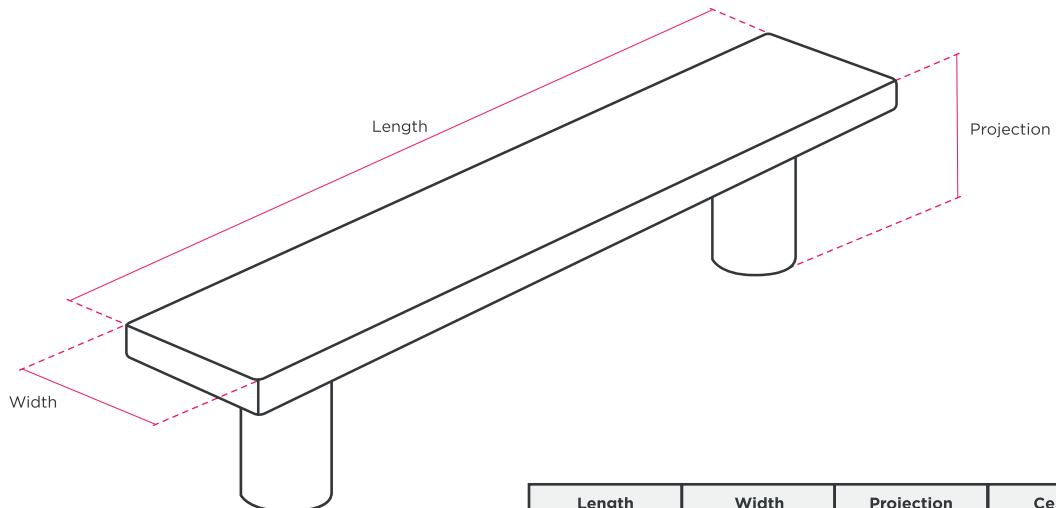
HENRY BLAKE

HARDWARE

Product Code: SK3600 | **Product Name:** Hammered Cabinet Pull



Finish - Shown in Antique Brass | Available in all Henry Blake Hardware finishes



Length	Width	Projection	Centres
138mm	25mm	28mm	96mm
162mm	25mm	28mm	128mm
194mm	25mm	28mm	160mm
266mm	25mm	28mm	224mm

Fixings: Supplied 2x M4 x 30mm machine bolts

Custom sizes available upon request

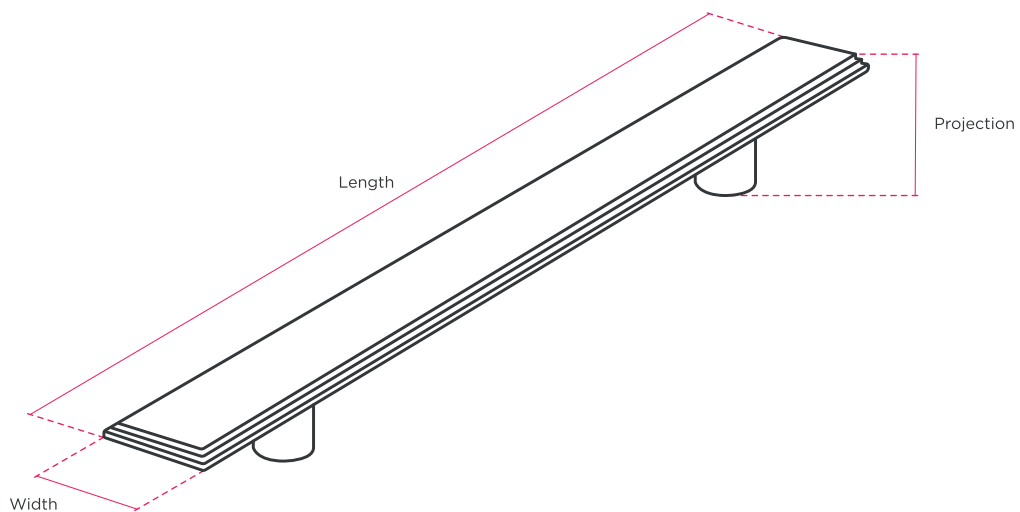
HENRY BLAKE

HARDWARE

Product Code: SK3030 | **Product Name:** Art Deco Cabinet Pull



Finish - Shown in Polished Chrome | Available in all Henry Blake Hardware finishes



Length	Width	Projection	Centres
130mm	25mm	27mm	96mm
170mm	25mm	27mm	128mm

Fixings: Supplied 2x M4 x 30mm machine bolts

Custom sizes available upon request

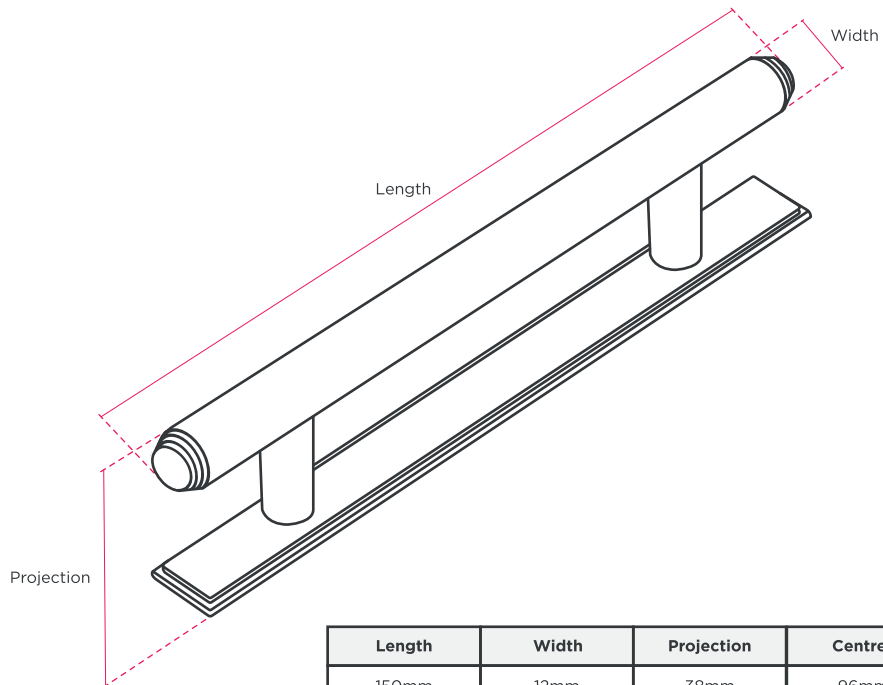
HENRY BLAKE

HARDWARE

Product Code: SK3501 | **Product Name:** Deco End Cabinet Pull on Backplate



Finish - Shown in Polished Chrome | Available in all Henry Blake Hardware finishes



Fixings: Supplied 2x M4 x 30mm machine bolts

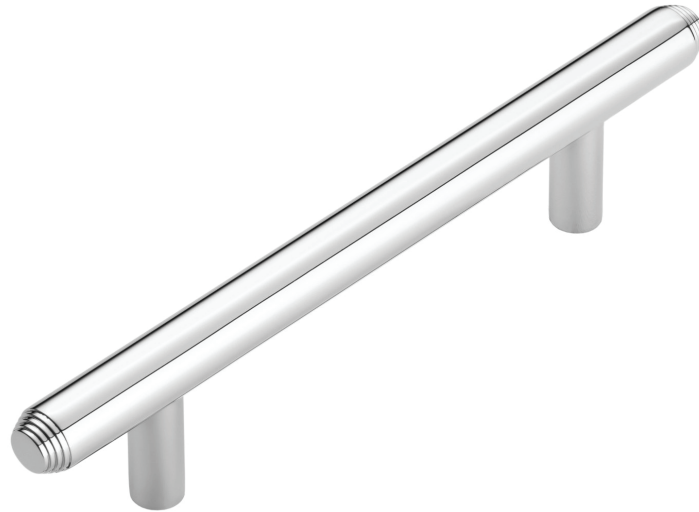
Length	Width	Projection	Centres	Backplate
150mm	12mm	38mm	96mm	150mm x 15mm
300mm	12mm	38mm	224mm	300mm x 10mm

Custom sizes available upon request

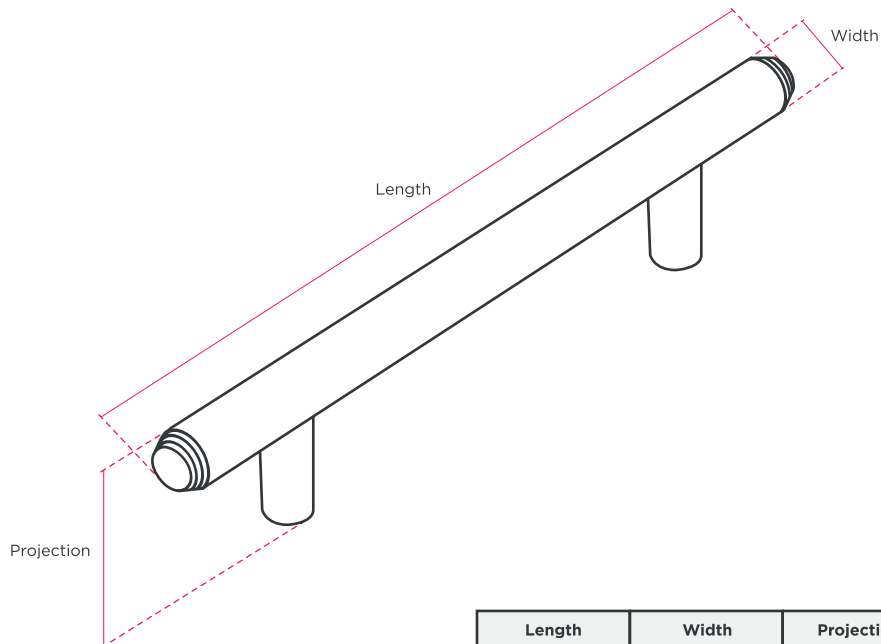
HENRY BLAKE

HARDWARE

Product Code: SK3500 | **Product Name:** Deco End Cabinet Pull No Backplate



Finish - Shown in Polished Chrome | Available in all Henry Blake Hardware finishes



Length	Width	Projection	Centres
150mm	12mm	34mm	96mm
300mm	12mm	34mm	224mm

Fixings: Supplied 2x M4 x 30mm machine bolts

Custom sizes available upon request

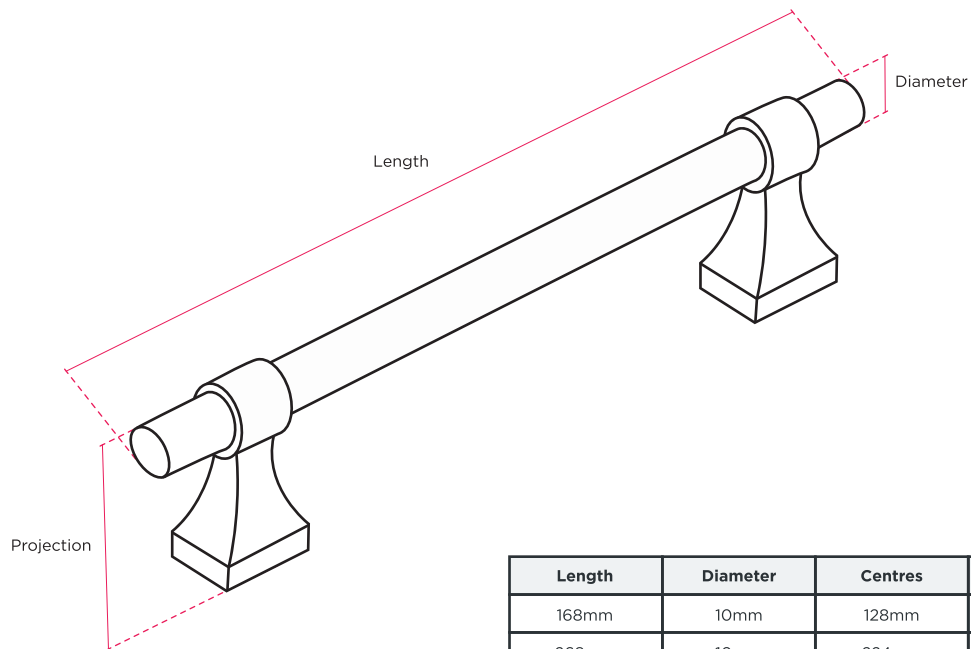
HENRY BLAKE

HARDWARE

Product Code: SK3300 | **Product Name:** Round T Bar Cabinet Pull Handle



Finish - Shown in Dark Bronze | Available in all Henry Blake Hardware finishes



Length	Diameter	Centres	Projection
168mm	10mm	128mm	34mm
268mm	10mm	224mm	34mm
424mm	10mm	384mm	34mm
680mm	10mm	640mm	34mm

Fixings: Supplied 2x M4 x 30mm machine bolts

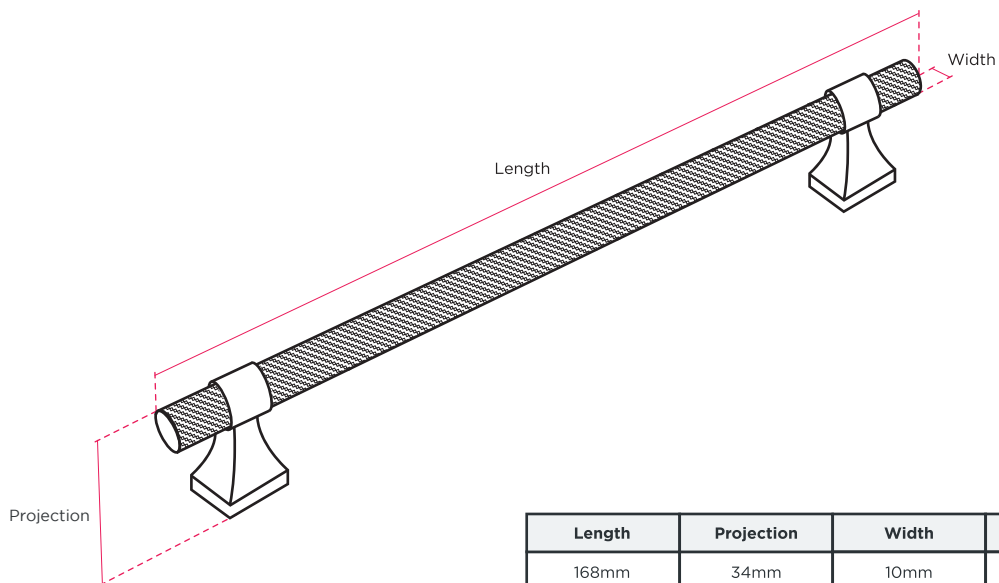
HENRY BLAKE

HARDWARE

Product Code: SK3380 | **Product Name:** Knurled Round T Bar Cabinet Pull Handle with Shaped Stems



Finish - Shown in Polished Brass | Available in all Henry Blake Hardware finishes



Length	Projection	Width	Centres
168mm	34mm	10mm	128mm
268mm	34mm	10mm	224mm
424mm	34mm	10mm	384mm
680mm	34mm	10mm	640mm

Fixings: Supplied 2x M4 x 30mm bolts

Custom sizes available upon request
Back to back sets available upon request.

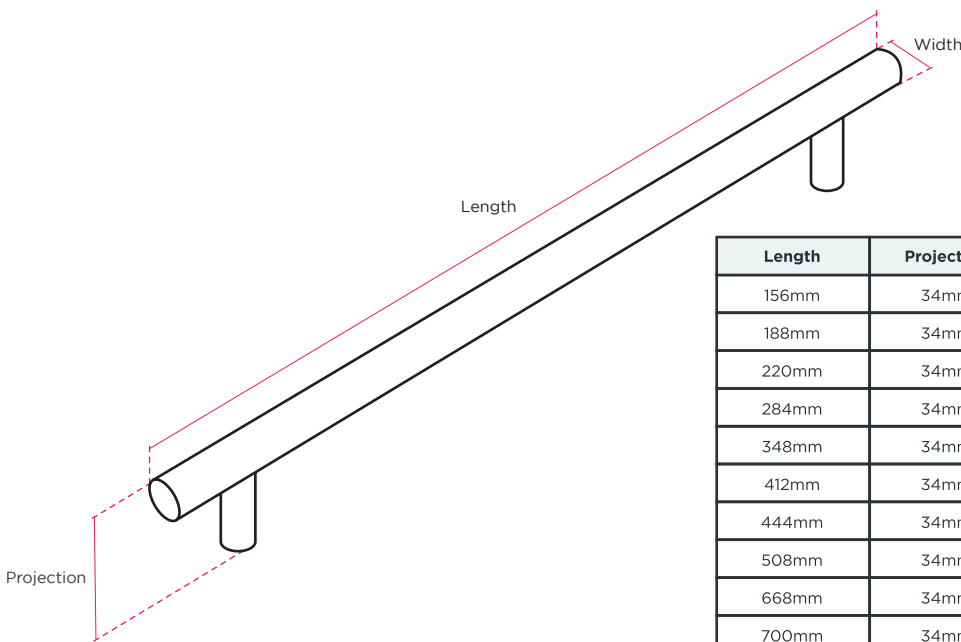
HENRY BLAKE

HARDWARE

Product Code: SK3550 | **Product Name:** Tube T Bar Cabinet Pull Handle



Finish - Shown in Satin Brass | Available in all Henry Blake Hardware finishes



Length	Projection	Width	Centres
156mm	34mm	12mm	96mm
188mm	34mm	12mm	128mm
220mm	34mm	12mm	160mm
284mm	34mm	12mm	224mm
348mm	34mm	12mm	288mm
412mm	34mm	12mm	352mm
444mm	34mm	12mm	384mm
508mm	34mm	12mm	448mm
668mm	34mm	12mm	608mm
700mm	34mm	12mm	640mm
828mm	34mm	12mm	768mm
1020mm	34mm	12mm	960mm

Fixings: Supplied 2 x M4 x 30mm bolts

Custom sizes available upon request
Back to back sets available upon request.

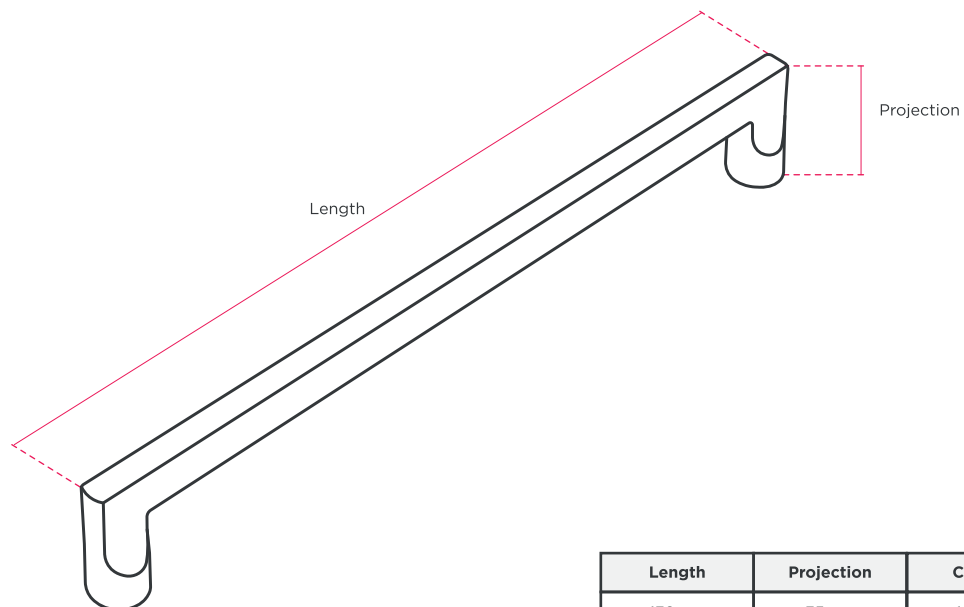
HENRY BLAKE

HARDWARE

Product Code: SK3150 | **Product Name:** Angled Bar Handle



Finish - Shown in Antique Brass | Available in all Henry Blake Hardware finishes



Length	Projection	Centres
138mm	35mm	128mm
170mm	35mm	160mm
234mm	35mm	224mm

Fixings: Supplied 2x M4 x 30mm machine bolts

Custom sizes available upon request

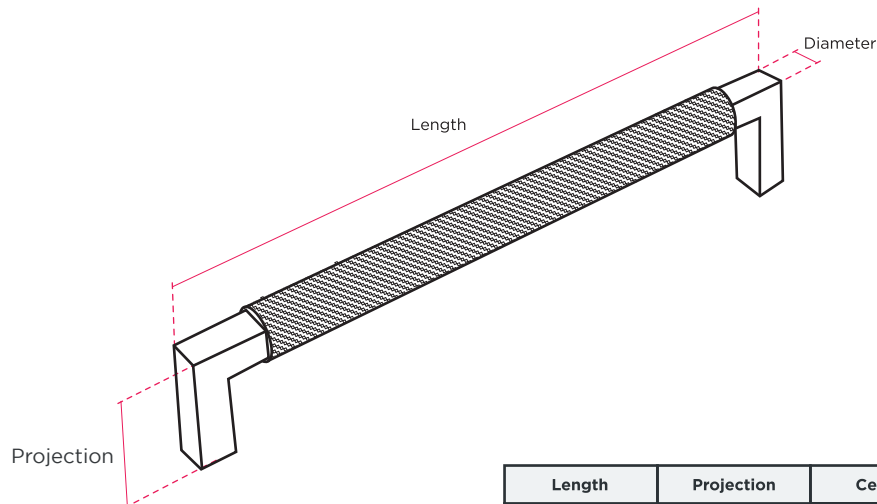
HENRY BLAKE

HARDWARE

Product Code: SK3800 | **Product Name:** Knurled Bauhaus Cabinet Bar Handle



Finish - Shown in Polished Brass Unlacquered | Available in all Henry Blake Hardware finishes



Length	Projection	Centres	Diameter
104mm	34mm	96mm	15mm
136mm	34mm	128mm	15mm
168mm	34mm	160mm	15mm
232mm	34mm	224mm	15mm

Fixings: Supplied 2x M4 x 30mm machine bolts

Larger sizes available on request as well as matching Large Pull Handles.

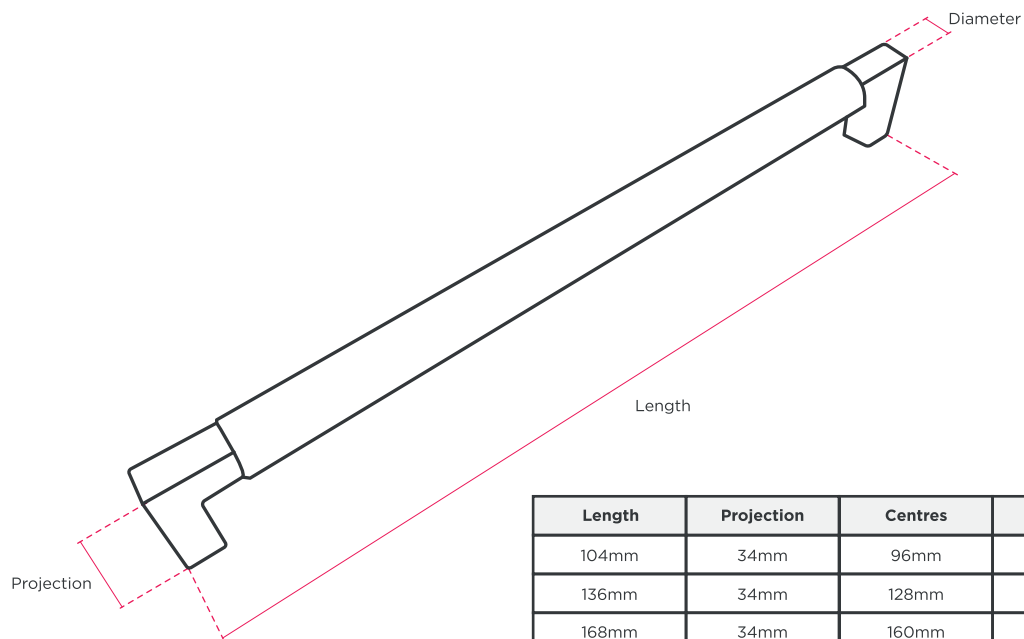
HENRY BLAKE

HARDWARE

Product Code: SK3200 | **Product Name:** Bauhaus Cabinet Bar Handle



Finish - Shown in Dark Bronze | Available in all Henry Blake Hardware finishes



Length	Projection	Centres	Diameter
104mm	34mm	96mm	15mm
136mm	34mm	128mm	15mm
168mm	34mm	160mm	15mm
232mm	34mm	224mm	15mm
296mm	34mm	288mm	15mm

Fixings: Supplied 2x M4 x 30mm machine bolts

Custom sizes available upon request

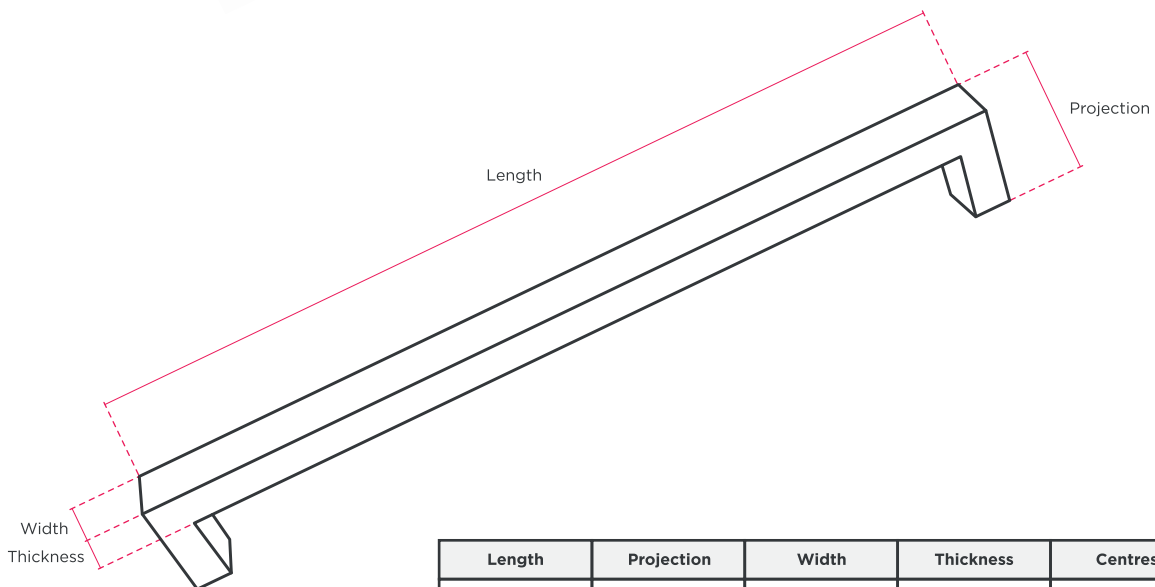
HENRY BLAKE

HARDWARE

Product Code: SK3100 | **Product Name:** Square Bar Handle



Finish - Shown in Antique Brass | Available in all Henry Blake Hardware finishes



Fixings: Supplied 2x M4 x 30mm machine bolts

Length	Projection	Width	Thickness	Centres
138mm	30mm	15mm	10mm	128mm
170mm	30mm	15mm	10mm	160mm
234mm	30mm	15mm	10mm	224mm
298mm	30mm	15mm	10mm	288mm

Custom sizes available upon request

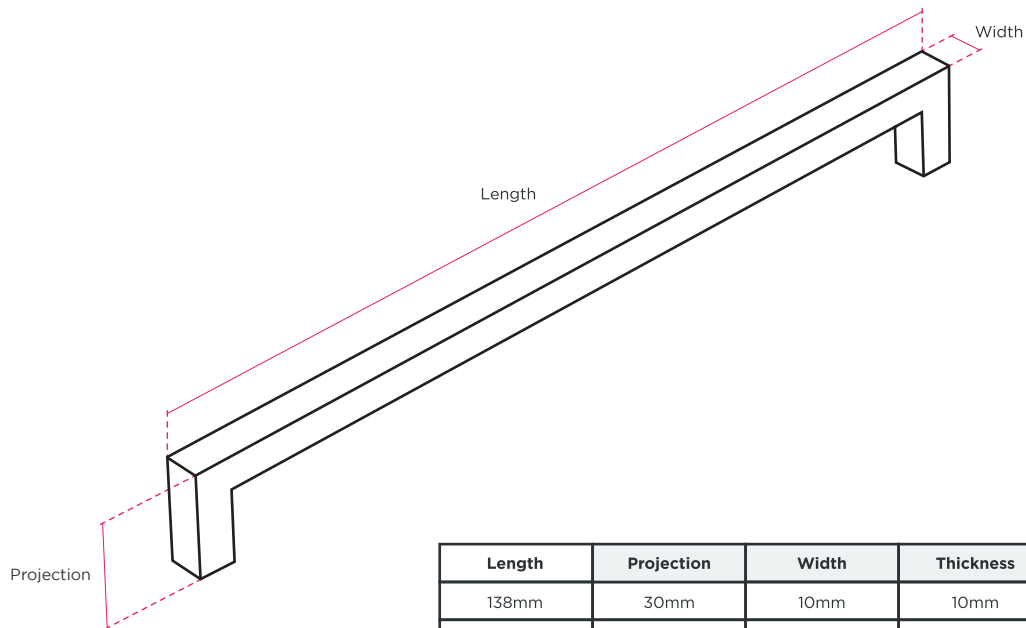
HENRY BLAKE

HARDWARE

Product Code: SK3140 | **Product Name:** Slim Square Bar Cabinet Pull



Finish - Shown in Polished Brass | Available in all Henry Blake Hardware finishes



Fixings: Supplied 2x M4 x 30mm machine bolts

Length	Projection	Width	Thickness	Centres
138mm	30mm	10mm	10mm	128mm
170mm	30mm	10mm	10mm	160mm
234mm	30mm	10mm	10mm	224mm
298mm	30mm	10mm	10mm	288mm

Custom sizes available upon request

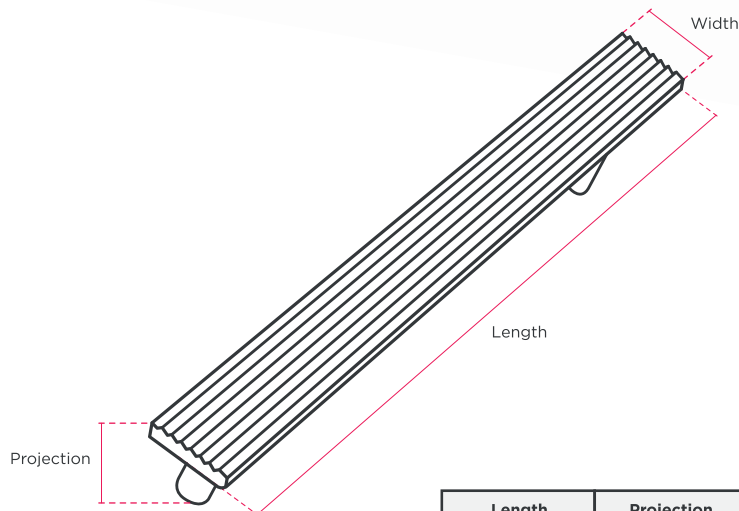
HENRY BLAKE

HARDWARE

Product Code: SK3700 | **Product Name:** Fluted Cabinet Pull



Finish - Shown in Polished Chrome | Available in all Henry Blake Hardware finishes



Length	Projection	Centres	Width
130mm	28mm	96mm	25mm
170mm	28mm	128mm	25mm
202mm	28mm	160mm	25mm
265mm	28mm	224mm	25mm

Fixings: Supplied 2x M4 x 30mm machine bolts

Custom sizes available upon request

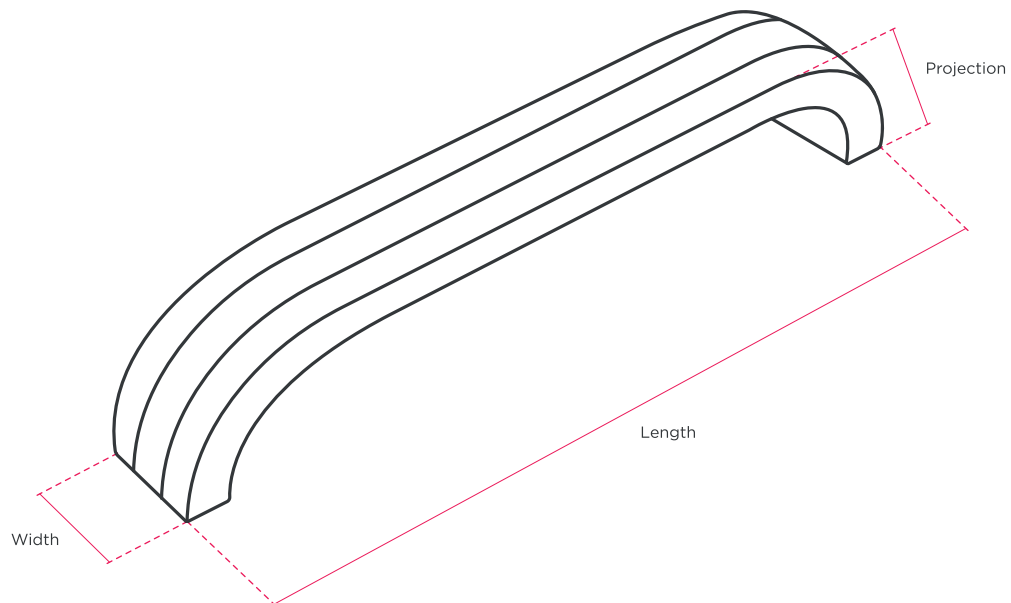
HENRY BLAKE

HARDWARE

Product Code: SK3085 | **Product Name:** Art Deco Fluted Cabinet Pull



Finish - Shown in Polished Chrome | Available in all Henry Blake Hardware finishes



Length	Projection	Width	Centres
170mm	30mm	25mm	160mm

Fixings: Supplied 2x M4 x 30mm machine bolts

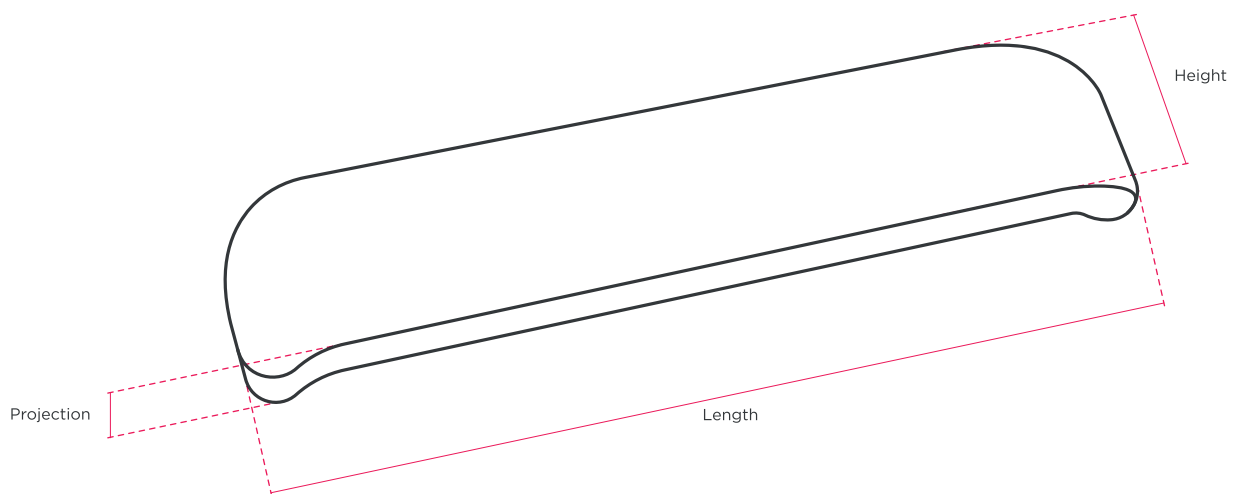
HENRY BLAKE

HARDWARE

Product Code: SK3750 | **Product Name:** Stanton Cup Handle



Finish - Shown in Polished Chrome | Available in all Henry Blake Hardware finishes



Length	Projection	Height
45mm	28mm	42mm
150mm	28mm	42mm
225mm	28mm	24mm

Fixings: Supplied 2x M4 x 30mm machine bolts

Custom sizes available upon request

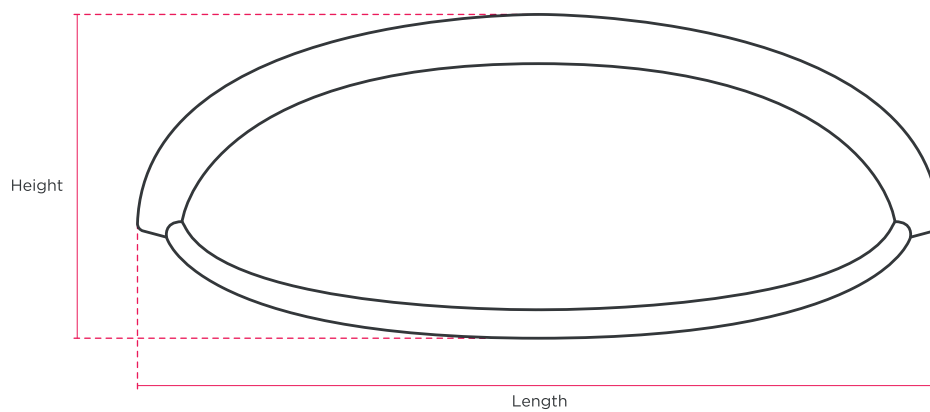
HENRY BLAKE

HARDWARE

Product Code: SK3850 | **Product Name:** Solid Brass Kitchen Cup Handle



Finish - Shown in Antique Brass | Available in all Henry Blake Hardware finishes



Length	Height	Depth	Centres
100mm	34mm	28mm	76mm
120mm	34mm	28mm	76mm

Fixings: Supplied 2x M4 x 30mm machine bolts

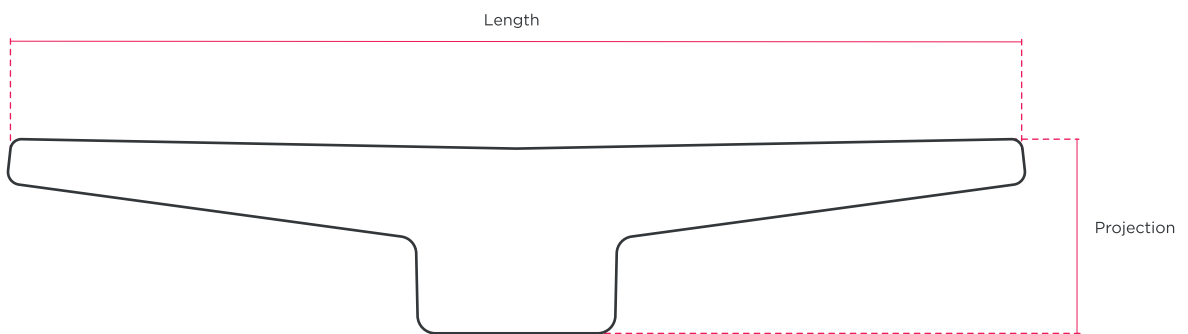
HENRY BLAKE

HARDWARE

Product Code: SK3078 | **Product Name:** Whale Tail Cabinet Handle



Finish - Shown in Polished Chrome | Available in all Henry Blake Hardware finishes



Length	Projection	Width
65mm	24mm	18mm
130mm	24mm	22mm
165mm	32mm	30mm

Fixings: Supplied 1x M4 x 30mm machine bolts

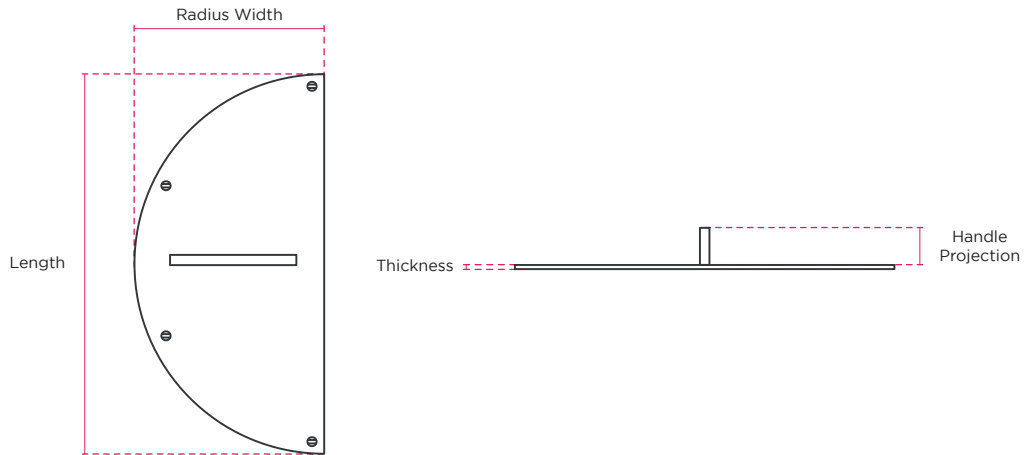
HENRY BLAKE

HARDWARE

Product Code: SK3255 | **Product Name:** Grooved Pull on Half Moon Backplate



Finish - Shown in Antique Brass | Available in all Henry Blake Hardware finishes



Length	Radius Width	Thickness	Handle Length	Handle Projection
245mm	119mm	2mm	85mm	25mm

Supplied with 4 x matching finished slotted flat head screws, size 6 x 3/4" - Sold individually

Custom sizes available upon request

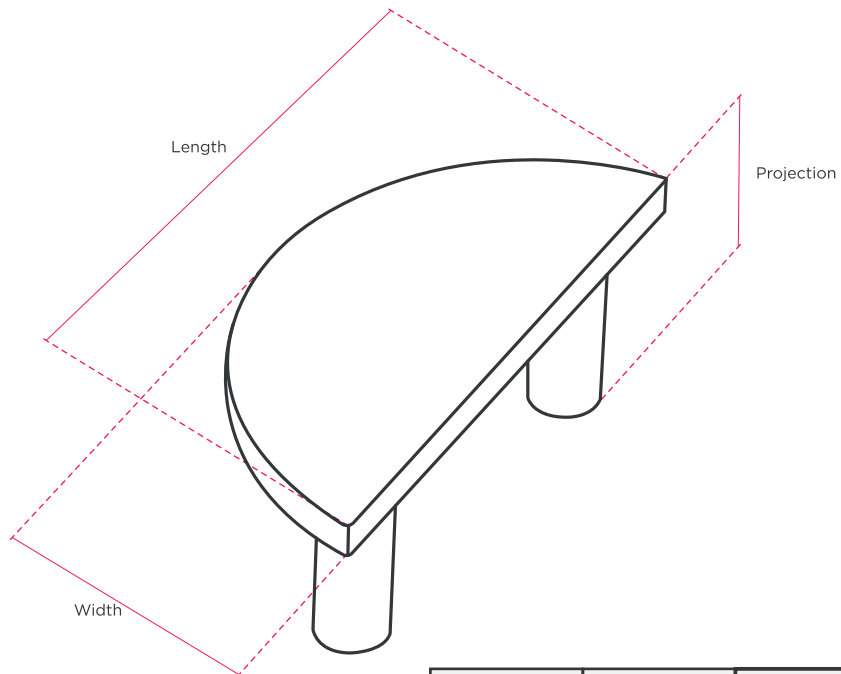
HENRY BLAKE

HARDWARE

Product Code: SK3120 | **Product Name:** Hammered Half Moon Cabinet Pull



Finish - Shown in Antique Brass | Available in all Henry Blake Hardware finishes



Fixings: Supplied 2x M4 x 30mm machine bolts
***Sold Individually**

Length	Projection	Width	Centres
75mm	28mm	32mm	50mm

Custom sizes available upon request

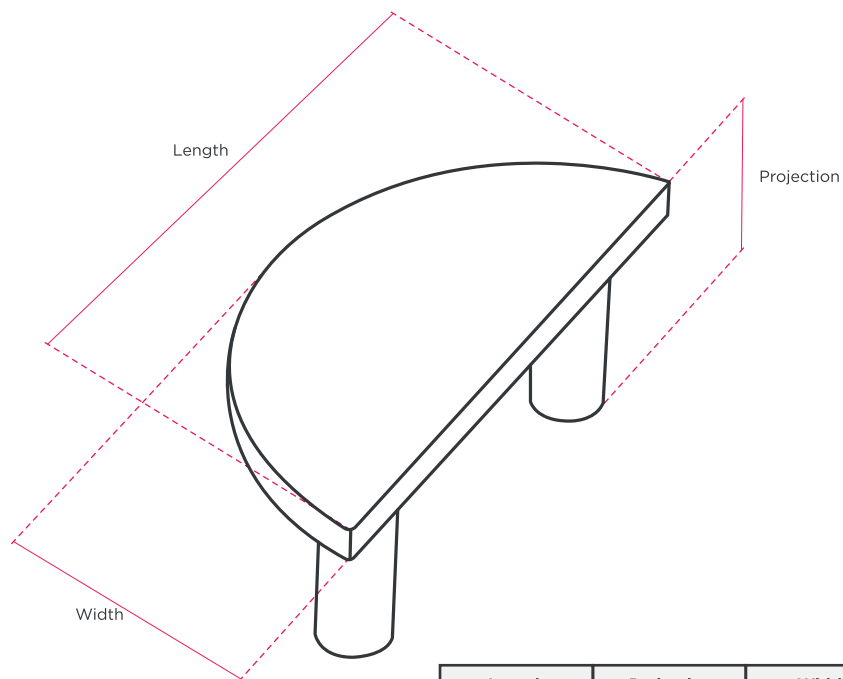
HENRY BLAKE

HARDWARE

Product Code: SK3125 | **Product Name:** Half Moon Smooth Cabinet Pull



Finish - Shown in Dark Bronze | Available in all Henry Blake Hardware finishes



Fixings: Supplied 2x M4 x 30mm machine bolts
***Sold Individually**

Length	Projection	Width	Centres
75mm	28mm	32mm	50mm

Custom sizes available upon request

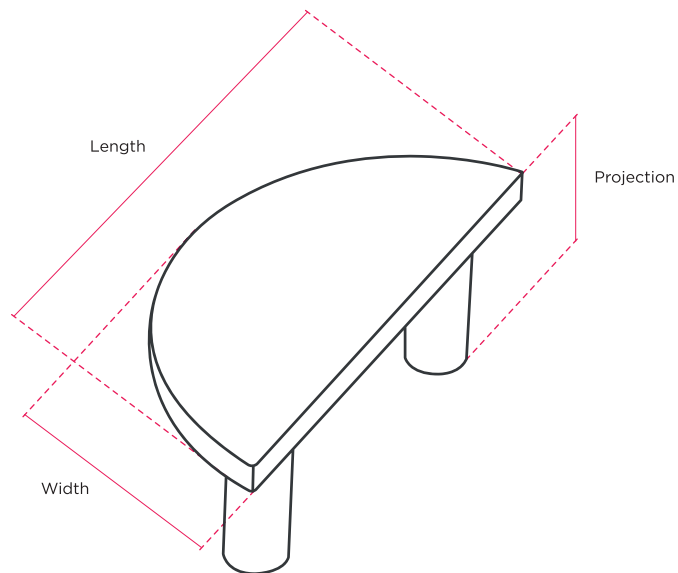
HENRY BLAKE

HARDWARE

Product Code: SK3121 | **Product Name:** Hammered Half Moon Shaped Pull Handle



Finish - Shown in Antique Brass | Available in all Henry Blake Hardware finishes



Length	Projection	Width	Post Diameter	Centres
100mm	32mm	43mm	12mm	70mm

Fixings: 2 x M4 x 30mm machine bolts.
Sold individually

Custom sizes available upon request

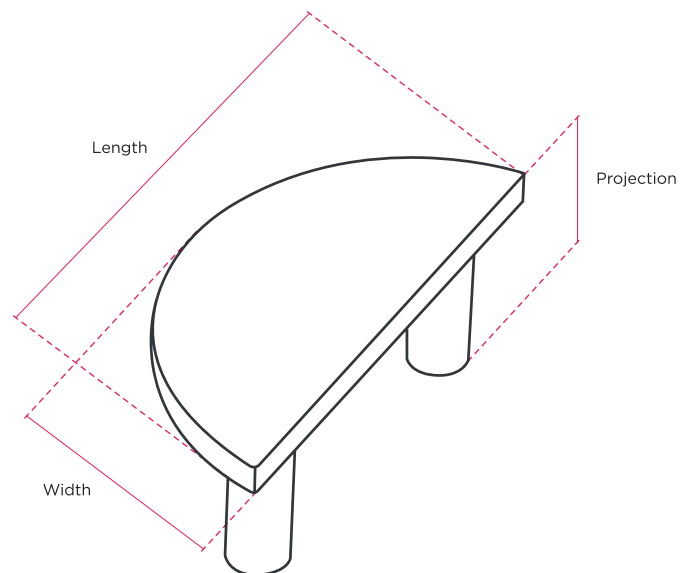
HENRY BLAKE

HARDWARE

Product Code: SK3126 | **Product Name:** Smooth Half Moon Shaped Pull Handle



Finish - Shown in Satin Brass | Available in all Henry Blake Hardware finishes



Length	Projection	Width	Post Diameter	Centres
100mm	32mm	43mm	12mm	70mm

**Fixings: 2 x M4 x 30mm machine bolts.
Sold individually**

Custom sizes available upon request

Cabinet Knobs



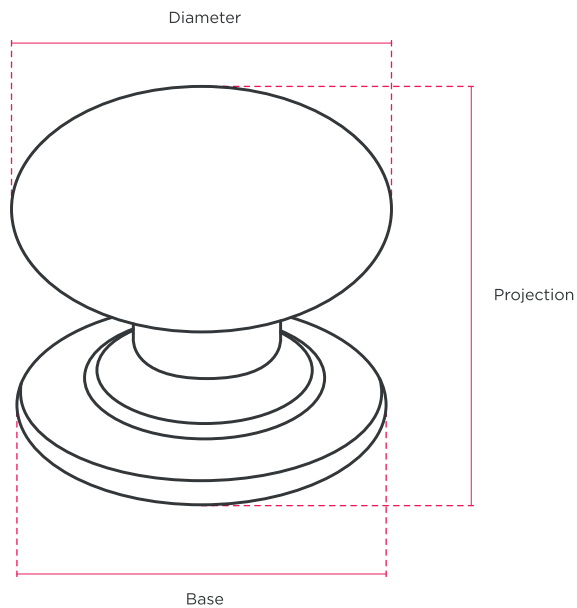
HENRY BLAKE

HARDWARE

Product Code: SK3054 | **Product Name:** Classic Bun Knob on Rose



Finish - Shown in Antique Brass | Available in all Henry Blake Hardware finishes



Diameter	Base	Projection
30mm	30mm	30mm
35mm	35mm	30mm

Fixings: Supplied 1 x M4 x 30mm machine bolts

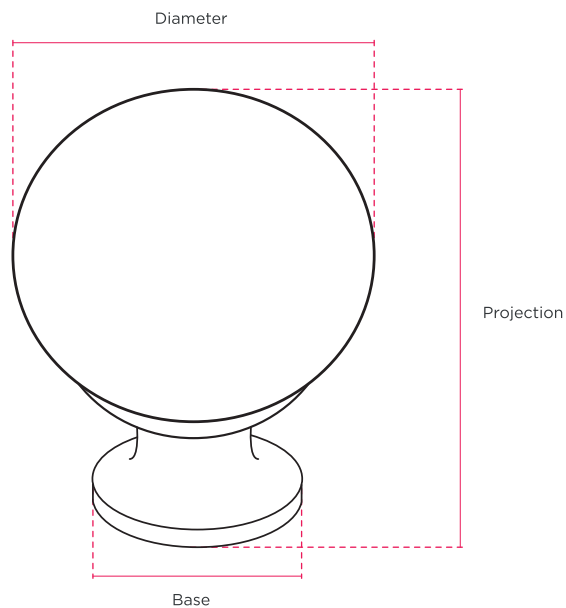
HENRY BLAKE

HARDWARE

Product Code: SK3055 | **Product Name:** Classic Ball Knob on Small Rose



Finish - Shown in Antique Brass | Available in all Henry Blake Hardware finishes



Diameter	Base	Projection
22mm	15mm	30mm
30mm	18mm	38mm

Fixings: Supplied 1 x M4 x 30mm machine bolts

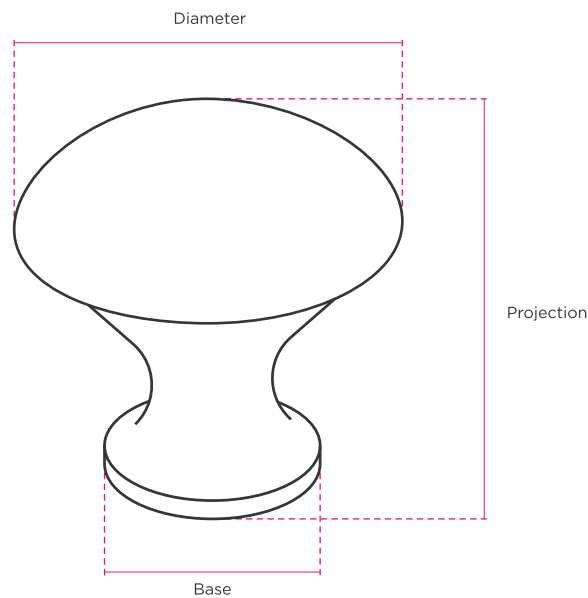
HENRY BLAKE

HARDWARE

Product Code: SK3058 | **Product Name:** Classic Mushroom Cabinet Knob



Finish - Shown in Antique Brass | Available in all Henry Blake Hardware finishes



Fixings: Supplied 1x M4 x 30mm machine bolts

Diameter	Base	Projection
30mm	17mm	30mm

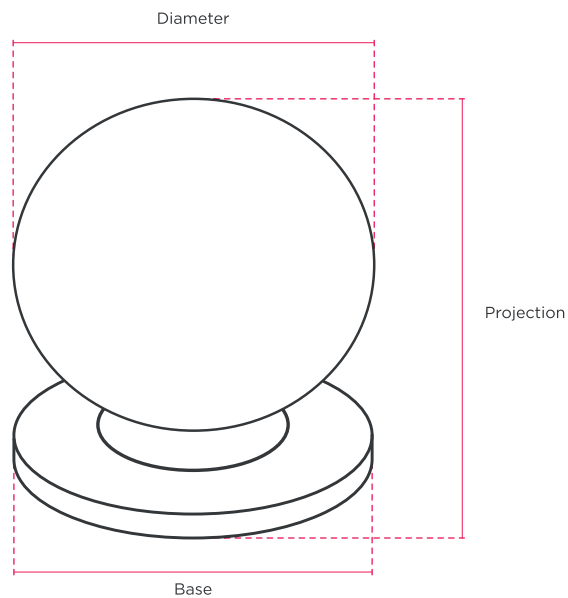
HENRY BLAKE

HARDWARE

Product Code: SK3056 | **Product Name:** Classic Ball Knob on Rose



Finish - Shown in Antique Brass | Available in all Henry Blake Hardware finishes



Diameter	Base	Projection
30mm	30mm	33mm
35mm	35mm	37mm

Fixings: Supplied 1x M4 x 30mm machine bolts

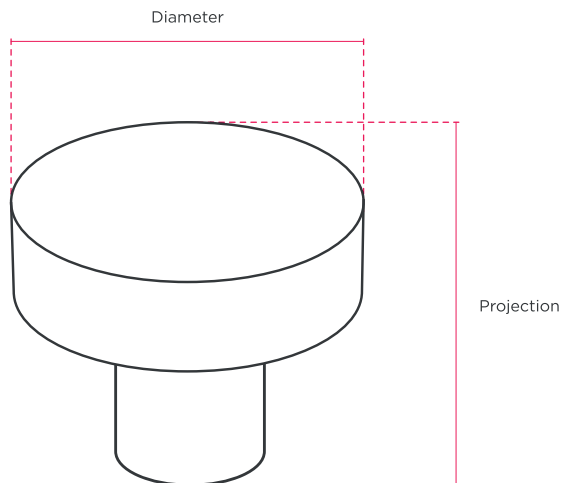
HENRY BLAKE

HARDWARE

Product Code: SK3076 | **Product Name:** Round Hammered Concave Cabinet Knob



Finish - Shown in Antique Brass | Available in all Henry Blake Hardware finishes



Diameter	Projection
35mm	30mm
45mm	40mm

Fixings: Supplied 1x M4 x 30mm machine bolts

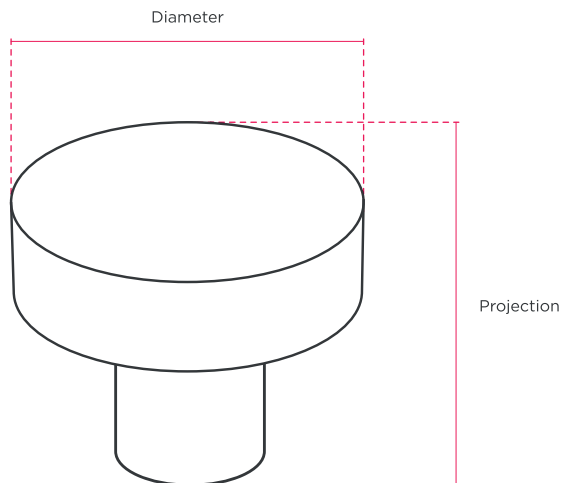
HENRY BLAKE

HARDWARE

Product Code: SK3075 | **Product Name:** Round Flat Concave Cabinet Knob



Finish - Shown in Antique Brass | Available in all Henry Blake Hardware finishes



Diameter	Projection
35mm	30mm
45mm	40mm

Fixings: Supplied 1x M4 x 30mm machine bolts

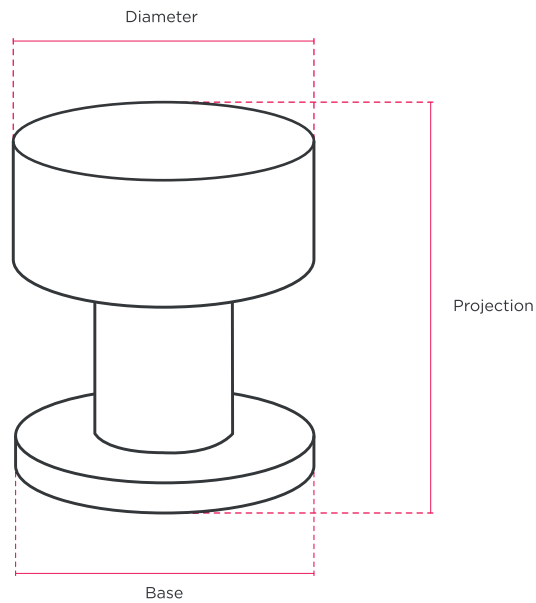
HENRY BLAKE

HARDWARE

Product Code: SK3010 | **Product Name:** Round Cabinet Knob



Finish - Shown in Polished Chrome | Available in all Henry Blake Hardware finishes



Diameter	Base	Projection
25mm	25mm	30mm
32mm	32mm	30mm

Fixings: Supplied 1x M4 x 30mm machine bolts

Custom sizes available upon request

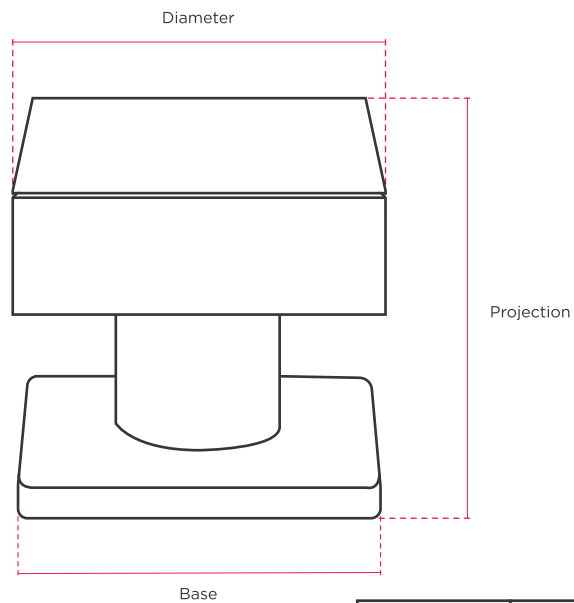
HENRY BLAKE

HARDWARE

Product Code: SK3000 | **Product Name:** Square Cabinet Knob



Finish - Shown in Polished Chrome | Available in all Henry Blake Hardware finishes



Diameter	Base	Projection
20mm	20mm	20mm
30mm	30mm	30mm
40mm	40mm	35mm

Fixings: Supplied 1x M4 x 30mm machine bolts

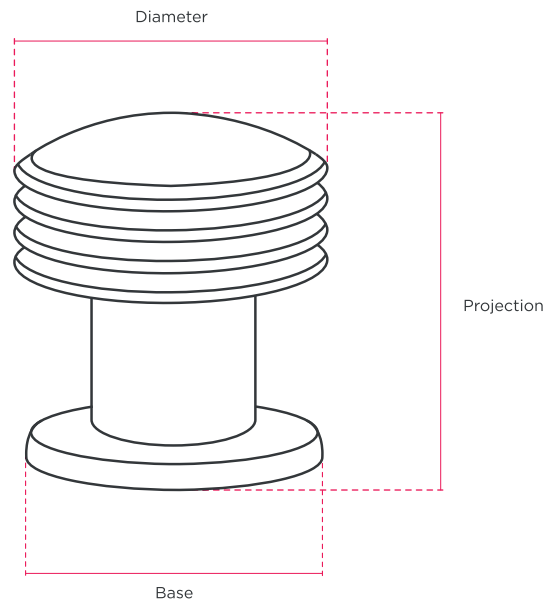
HENRY BLAKE

HARDWARE

Product Code: SK3080 | **Product Name:** Fluted Art Deco Cabinet Knob



Finish - Shown in Antique Brass | Available in all Henry Blake Hardware finishes



Diameter	Base	Projection
30mm	30mm	35mm
40mm	40mm	40mm

Fixings: Supplied 1x M4 x 30mm machine bolts

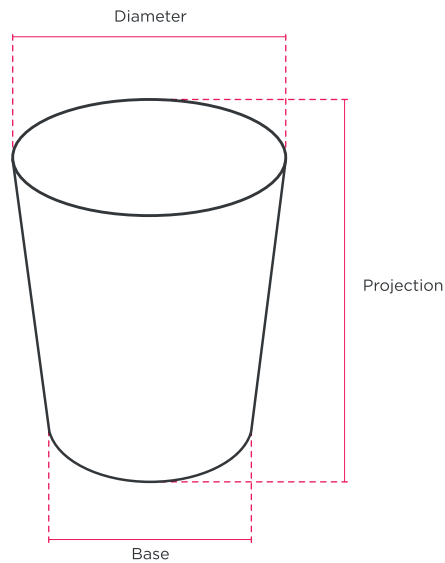
HENRY BLAKE

HARDWARE

Product Code: SK3070 | **Product Name:** Round Cone Concave Cabinet Knob



Finish - Shown in Dark Bronze | Available in all Henry Blake Hardware finishes



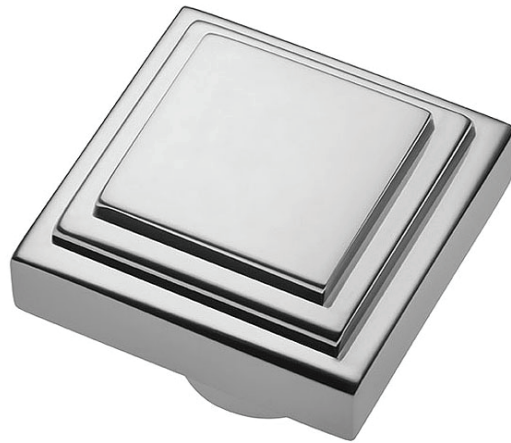
Diameter	Base	Projection
25mm	20mm	30mm
30mm	23mm	35mm

Fixings: Supplied 1x M4 x 30mm machine bolts

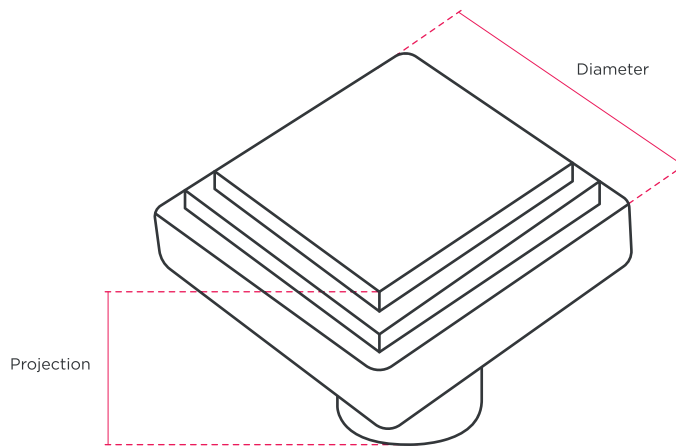
HENRY BLAKE

HARDWARE

Product Code: SK3020 | **Product Name:** Art Deco Cabinet Knob



Finish - Shown in Polished Chrome | Available in all Henry Blake Hardware finishes



Diameter	Projection
20mm	22mm
30mm	27mm
40mm	40mm

Fixings: Supplied 1x M4 x 30mm machine bolts

Custom sizes available upon request

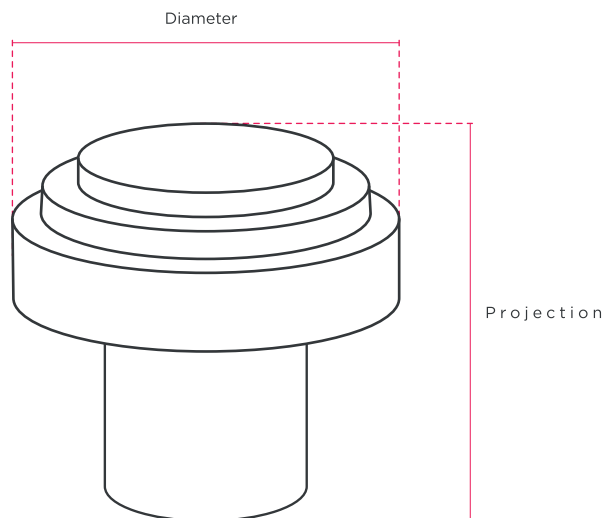
HENRY BLAKE

HARDWARE

Product Code: SK3050 | **Product Name:** Art Deco Cabinet Knob



Finish - Shown in Polished Chrome | Available in all Henry Blake Hardware finishes



Diameter	Projection
20mm	27mm
30mm	30mm
40mm	38mm

Fixings: Supplied 1x M4 x 30mm machine bolts

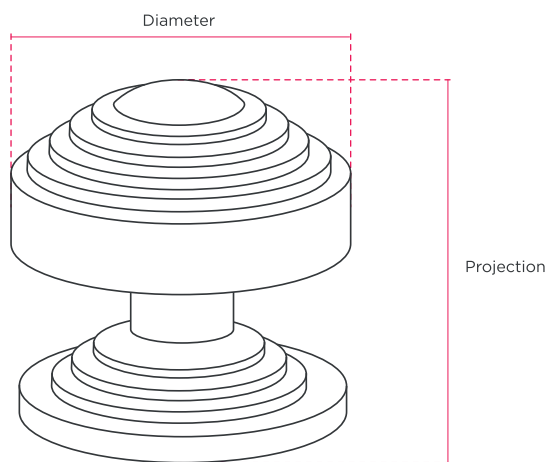
HENRY BLAKE

HARDWARE

Product Code: SK3052 | **Product Name:** Art Deco Stepped Cabinet Knob



Finish - Shown in Polished Chrome | Available in all Henry Blake Hardware finishes



Fixings: Supplied 1x M4 x 30mm machine bolts

Diameter	Projection
30mm	31mm

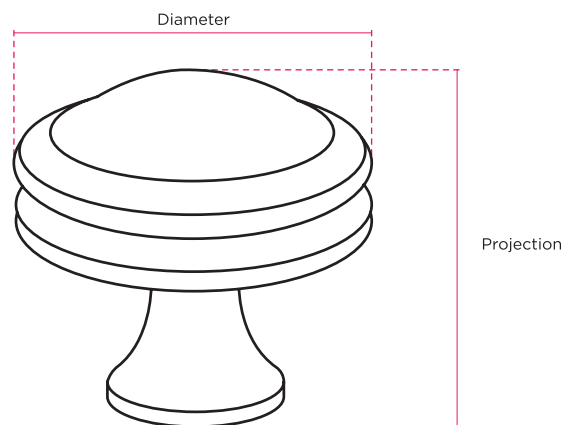
HENRY BLAKE

HARDWARE

Product Code: SK3081 | **Product Name:** Fluted Art Deco Cabinet Knob



Finish - Shown in Polished Brass | Available in all Henry Blake Hardware finishes



Fixings 1 x m4 x 30mm bolt

Diameter	Projection
29mm	28mm

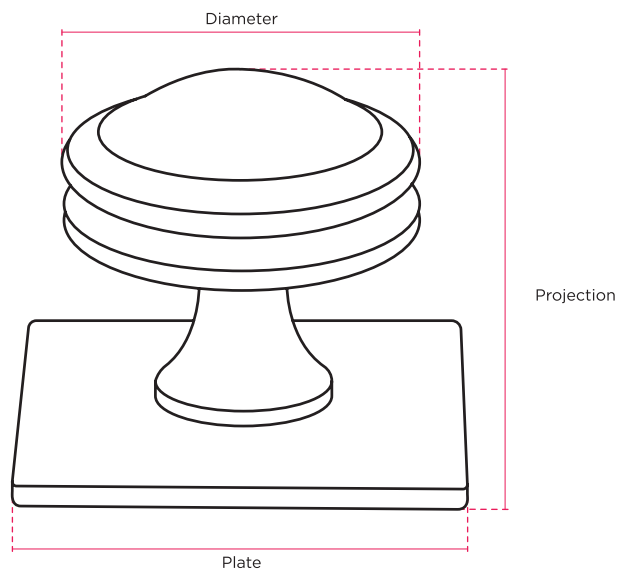
HENRY BLAKE

HARDWARE

Product Code: SK3082 | **Product Name:** Fluted Art Deco Cabinet Knob on Square Plate



Finish - Shown in Polished Brass | Available in all Henry Blake Hardware finishes



Diameter	Projection	Plate
29mm	28mm	4mmx35mm

Fixings 1 x m4 x 30mm bolt
Also available without a back plate or on a plain square back plate.

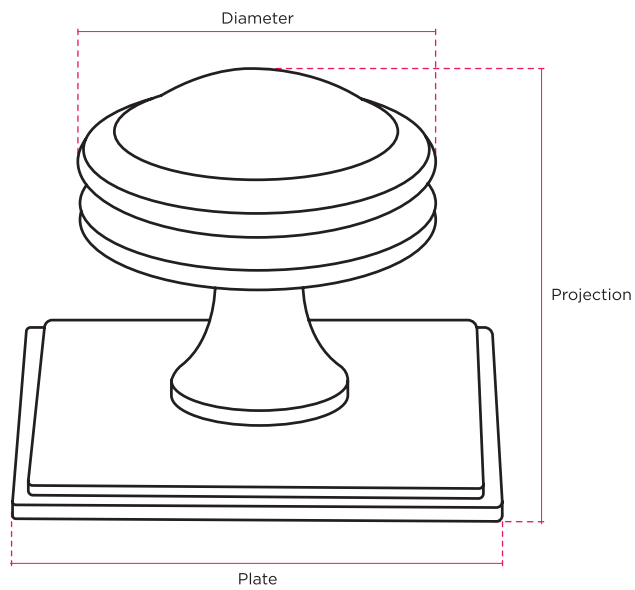
HENRY BLAKE

HARDWARE

Product Code: SK3083 | **Product Name:** Fluted Art Deco Cabinet Knob on Stepped Plate



Finish - Shown in Polished Brass | Available in all Henry Blake Hardware finishes



Diameter	Projection	Plate
29mm	28mm	3mmx40mm

Fixings 1 x m4 x 30mm bolt
Also available without a back plate or on a plain square back plate.

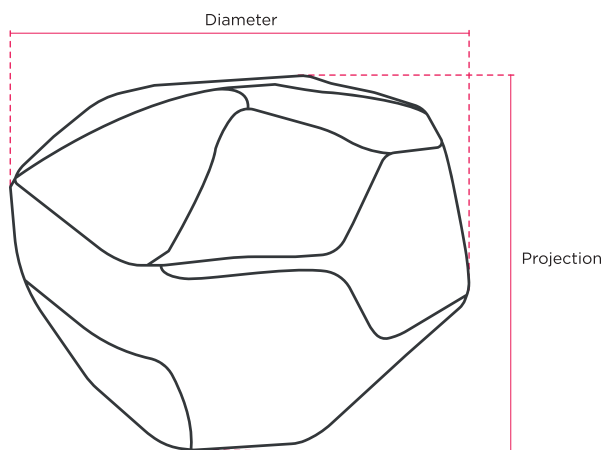
HENRY BLAKE

HARDWARE

Product Code: SK3090 | **Product Name:** Organic Cabinet Knob



Finish - Shown in Polished Brass | Available in all Henry Blake Hardware finishes



Fixings 1 x m4 x 30mm bolt

Diameter	Projection
35mm	27mm

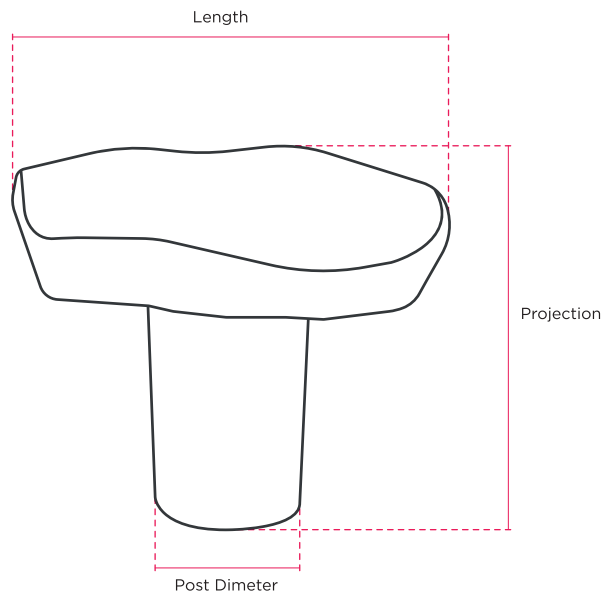
HENRY BLAKE

HARDWARE

Product Code: SK3091 | **Product Name:** Small Oval Organic Cabinet Knob



Finish - Shown in Polished Brass | Available in all Henry Blake Hardware finishes



Length	Projection	Post Diameter
35mm	32mm	20mm

Fixings 1 x m4 x 30mm bolt

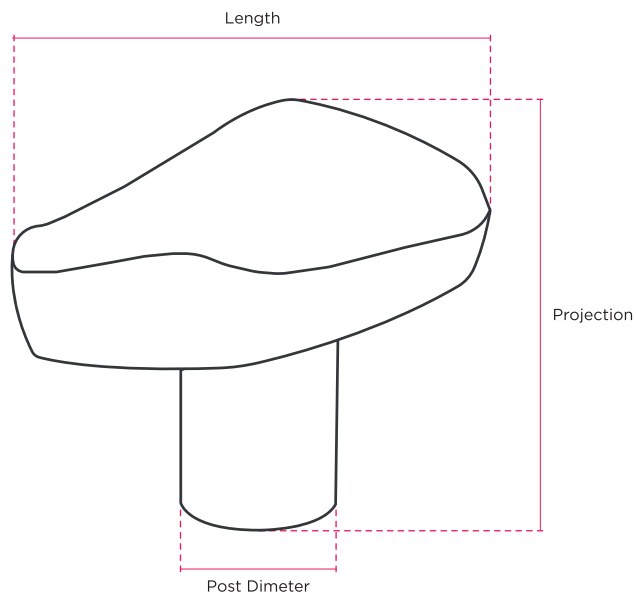
HENRY BLAKE

HARDWARE

Product Code: SK3092 | **Product Name:** Large Oval Organic Cabinet Knob



Finish - Shown in Polished Brass | Available in all Henry Blake Hardware finishes



Length	Projection	Post Diameter
70mm	48mm	20mm

Fixings 1 x m4 x 30mm bolt

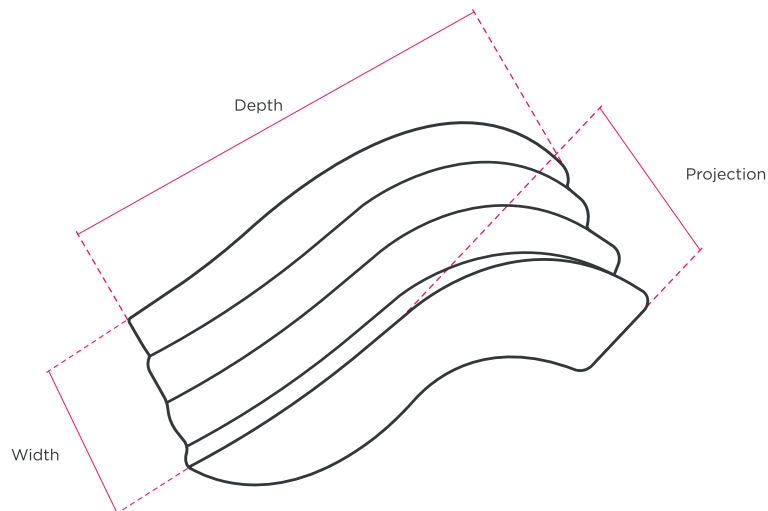
HENRY BLAKE

HARDWARE

Product Code: SK3086 | **Product Name:** Art Deco Fluted Cabinet Knob



Finish - Shown in Polished Chrome | Available in all Henry Blake Hardware finishes



Depth	Width	Projection
40mm	25mm	30mm

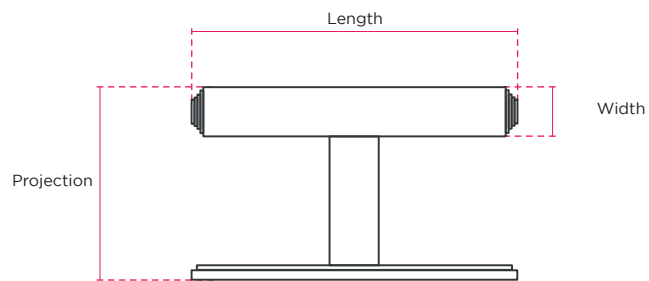
HENRY BLAKE

HARDWARE

Product Code: SK3506 | **Product Name:** Deco End T bar Cabinet Pull on backplate



Finish - Shown in Polished Chrome | Available in all Henry Blake Hardware finishes



Backplate Length	Backplate Width	Length	Width	Projection
65mm	10mm	65mm	10mm	38mm

Fixings 1 x m4 x 30mm bolt

Custom sizes available upon request

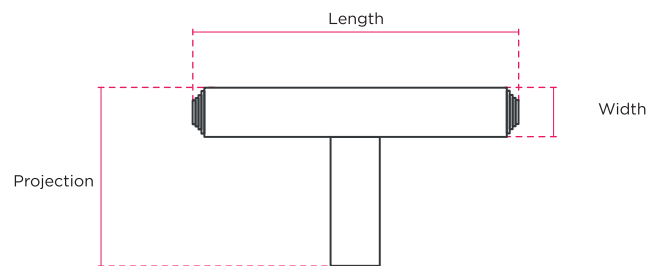
HENRY BLAKE

HARDWARE

Product Code: SK3505 | **Product Name:** Deco End T bar Cabinet Pull



Finish - Shown in Polished Chrome | Available in all Henry Blake Hardware finishes



Length	Width	Projection
65mm	10mm	34mm

Fixings 1 x m4 x 30mm bolt

Custom sizes available upon request

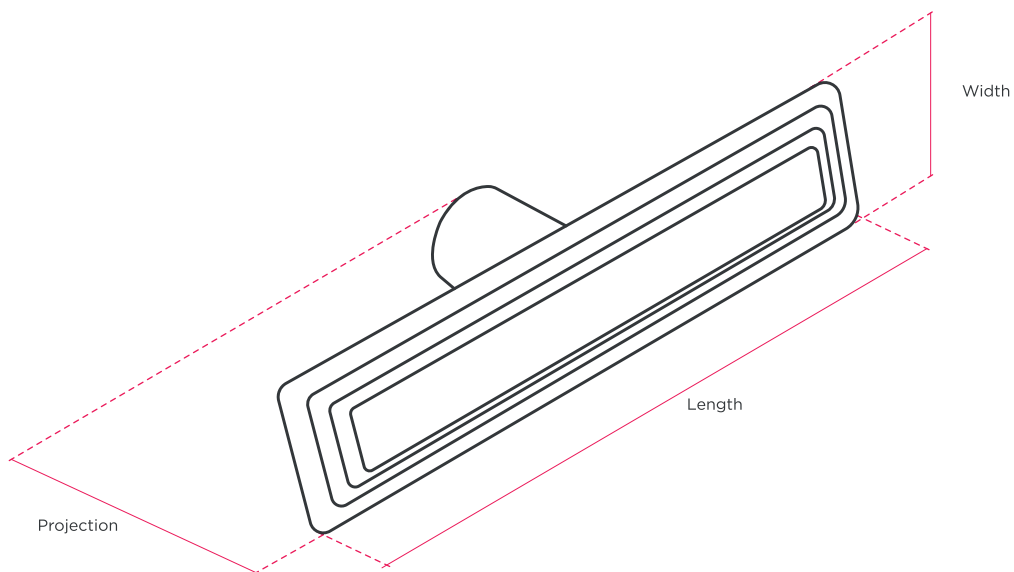
HENRY BLAKE

HARDWARE

Product Code: SK3040 | **Product Name:** Art Deco T Bar Handle



Finish - Shown in Polished Nickel | Available in all Henry Blake Hardware finishes



Fixings: Supplied 1x M4 x 30mm machine bolts

Length	Projection	Width
80mm	26mm	20mm

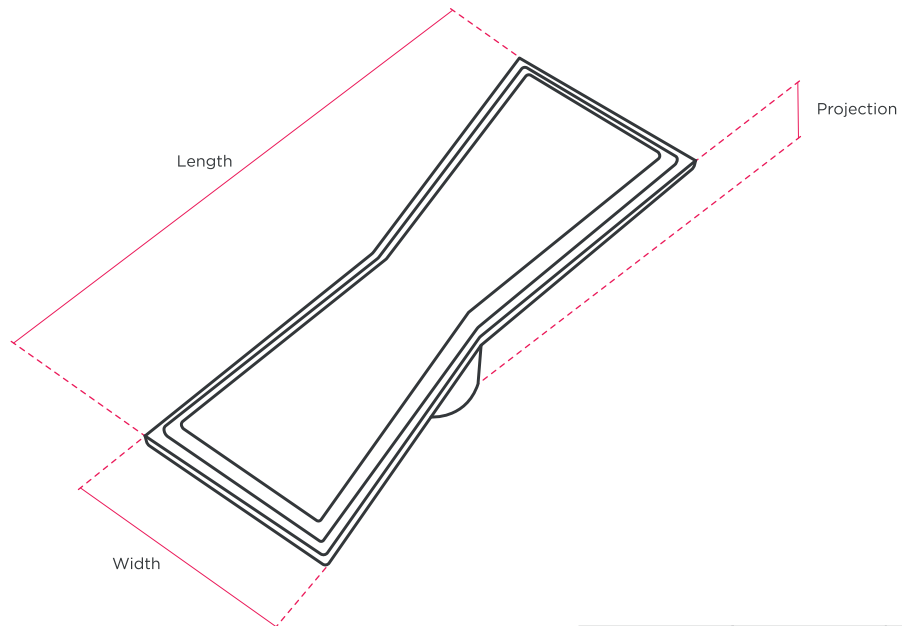
HENRY BLAKE

HARDWARE

Product Code: SK3060 | **Product Name:** Art Deco Bow Tie T Bar



Finish - Shown in Polished Chrome | Available in all Henry Blake Hardware finishes



Fixings: Supplied 1x M4 x 30mm machine bolts

Length	Projection	Width
80mm	26mm	30mm

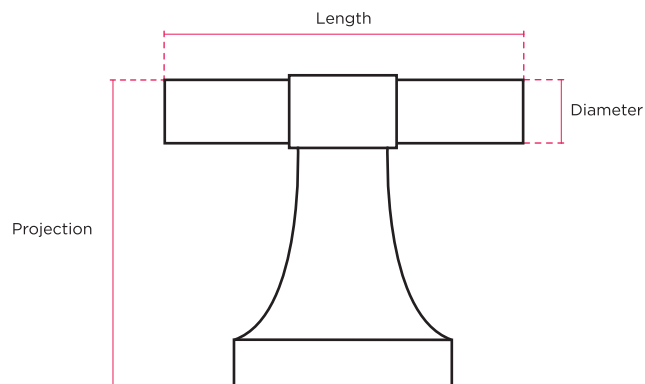
HENRY BLAKE

HARDWARE

Product Code: SK3310 | **Product Name:** Round T Bar Cabinet Knob



Finish - Shown in Dark Bronze | Available in all Henry Blake Hardware finishes



Length	Diameter	Projection
52mm	10mm	34mm

Fixings: Supplied 1 x M4 X 30mm

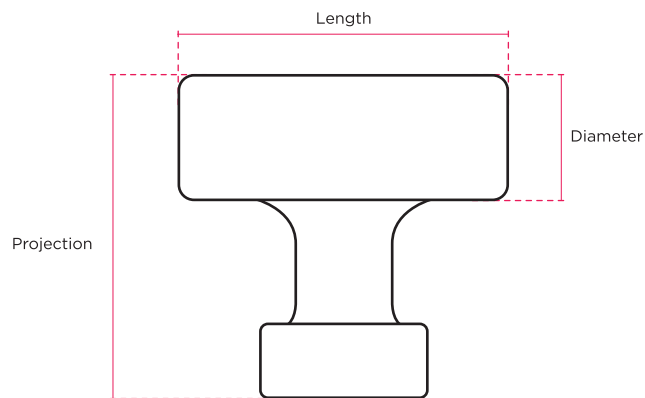
HENRY BLAKE

HARDWARE

Product Code: SK3210 | **Product Name:** Bauhaus T Bar Cabinet Knob



Finish - Shown in Antique Brass | Available in all Henry Blake Hardware finishes



Length	Diameter	Projection	Base
36mm	15mm	36mm	20mm

Fixings: Supplied 1 x M4 X 30mm

Pull Handles



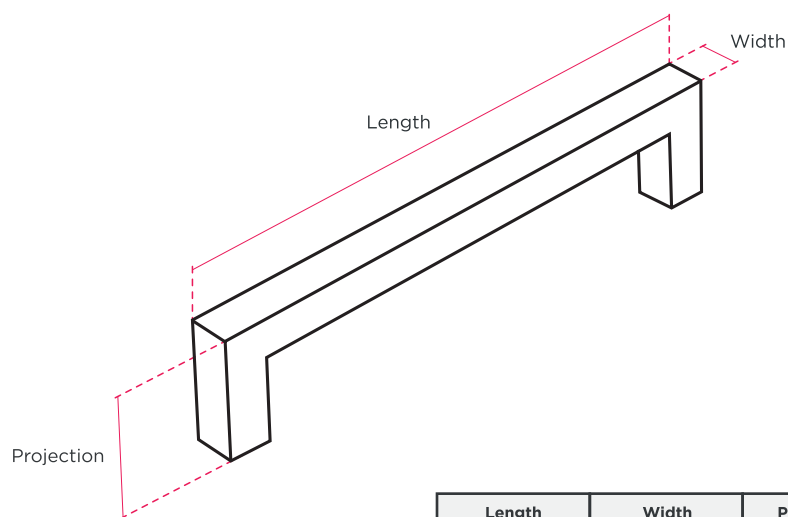
HENRY BLAKE

HARDWARE

Product Code: SK0165 | **Product Name:** Square Bar Pull Handle



Finish - Shown in Antique Brass | Available in all Henry Blake Hardware finishes



Length	Width	Projection	Centres
325mm	25mm	60mm	300mm
525mm	25mm	60mm	500mm
1025mm	25mm	60mm	1000mm

Fixings: Supplied 2x M10 x 60mm bolts

Custom sizes available upon request
Available back to back upon request

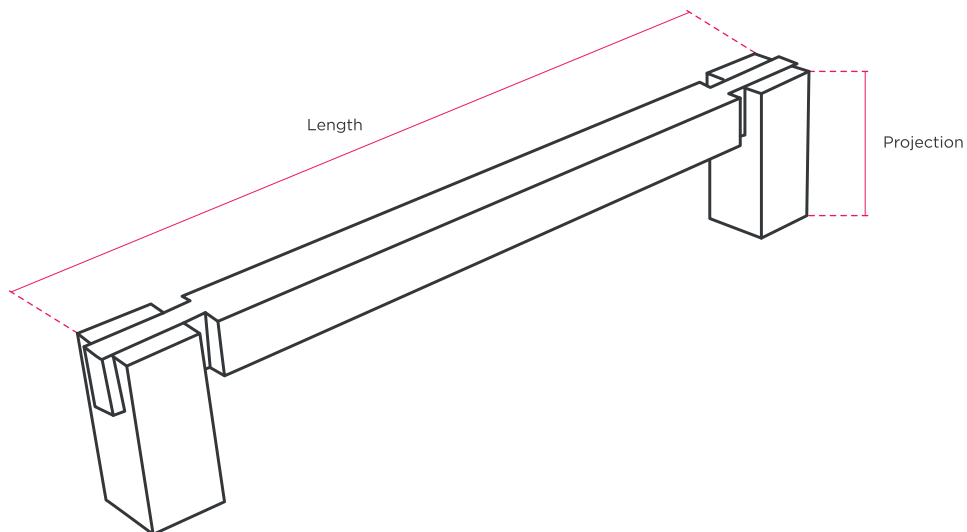
HENRY BLAKE

HARDWARE

Product Code: SK0127 | **Product Name:** Modern Pull Handle



Finish - Shown in Polished Chrome | Available in all Henry Blake Hardware finishes



Length	Projection	Centres
280mm	57mm	250mm
530mm	57mm	500mm
1030mm	57mm	1000mm

Fixings: Supplied 2x M10 x 60mm bolts

Custom sizes available upon request
Available back to back upon request

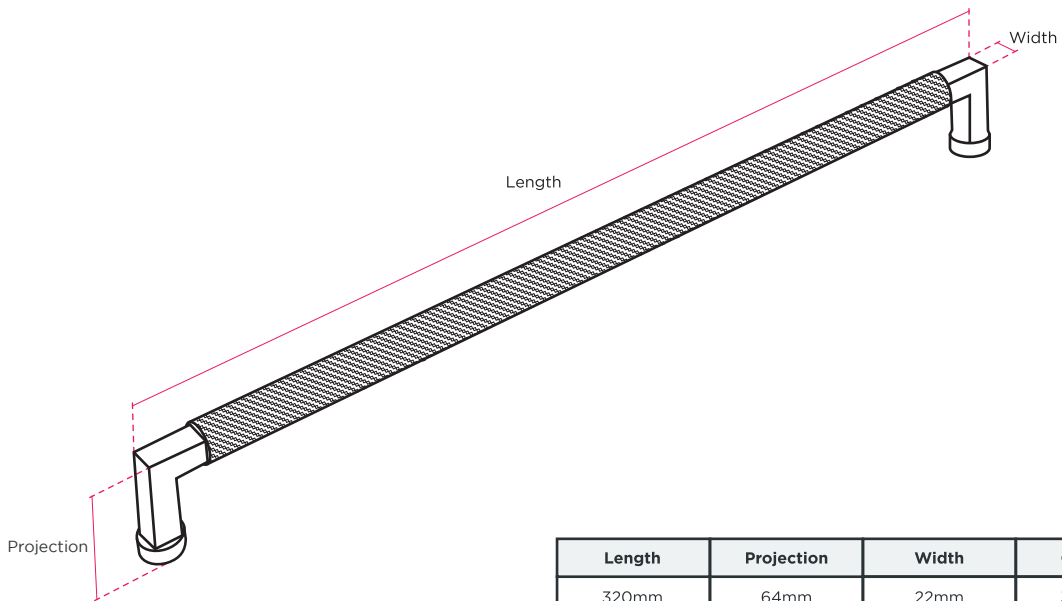
HENRY BLAKE

HARDWARE

Product Code: SK0170 | **Product Name:** Warehouse Pull Handle



Finish - Shown in Polished Brass | Available in all Henry Blake Hardware finishes



Length	Projection	Width	Centres
320mm	64mm	22mm	300mm
520mm	64mm	22mm	500mm
1020mm	64mm	22mm	1000mm

Fixings: Supplied 2x M10 x 60mm bolts

Custom sizes available upon request
Back to back sets available upon request.

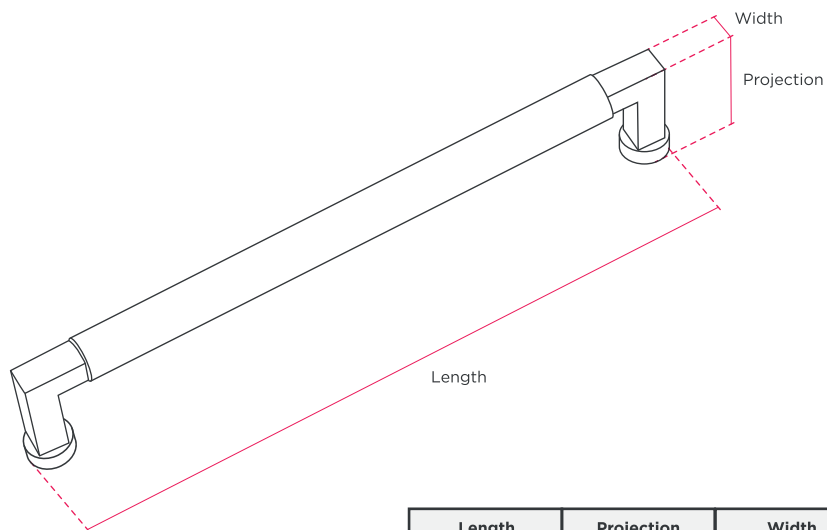
HENRY BLAKE

HARDWARE

Product Code: SK0175 | **Product Name:** Bauhaus Pull Handle



Finish - Shown in Polished Brass | Available in all Henry Blake Hardware finishes



Length	Projection	Width	Centres
320mm	64mm	22mm	300mm
520mm	64mm	22mm	500mm
1020mm	64mm	22mm	1000mm
1520mm	64mm	22mm	1500mm

Fixings: Supplied 2x M10 x 60mm bolts

Custom sizes available upon request
Available back to back upon request

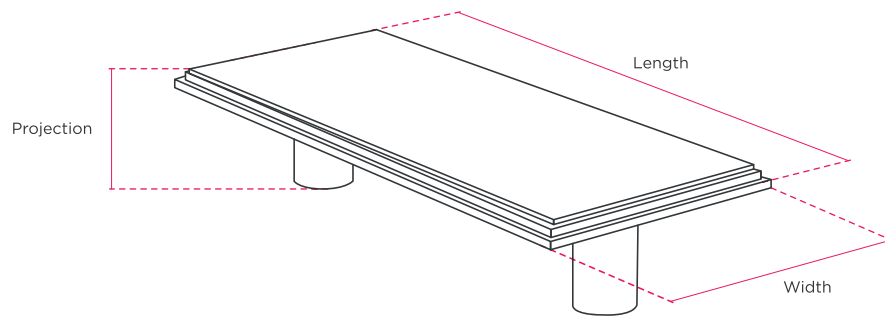
HENRY BLAKE

HARDWARE

Product Code: SK0195 | **Product Name:** Art Deco Pull Handle



Finish - Shown in Antique Brass | Available in all Henry Blake Hardware finishes



Length	Width	Projection
300mm	130mm	50mm

Fixings: Supplied 2x M6 x 60mm machine bolts

Custom sizes available upon request
Available back to back upon request

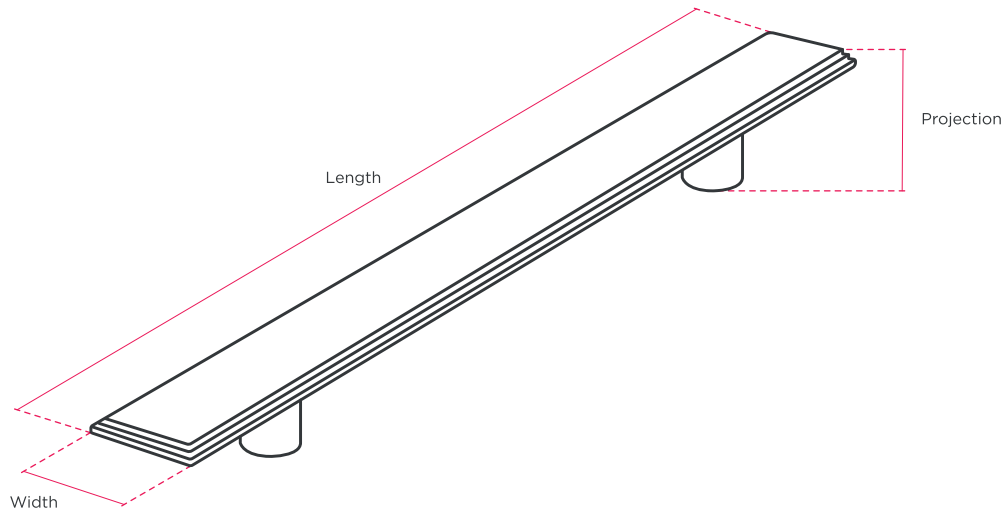
HENRY BLAKE

HARDWARE

Product Code: SK0131 | **Product Name:** Art Deco Pull Handle



Finish - Shown in Polished Chrome | Available in all Henry Blake Hardware finishes



Length	Width	Projection	Centres
350mm	40mm	30mm	230mm

Fixings: Supplied 2 x M6 x 60mm bolts

Custom sizes available upon request
Available back to back upon request

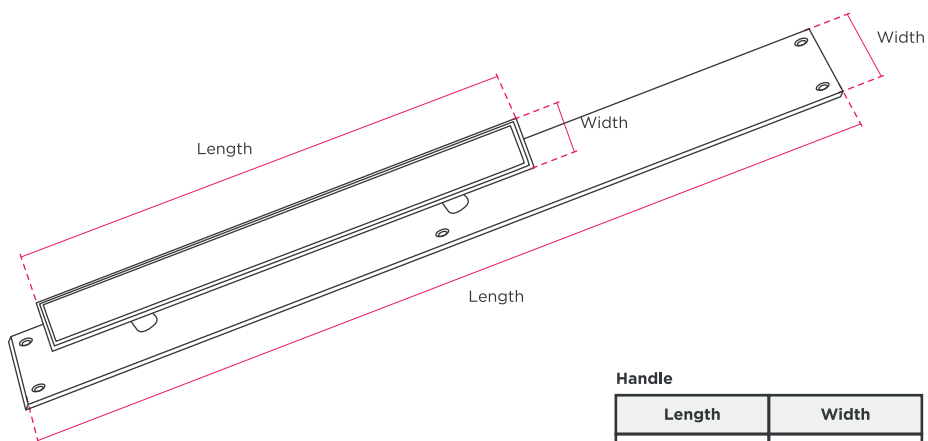
HENRY BLAKE

HARDWARE

Product Code: SK0131 - SK0125 | **Product Name:** Art Deco Push Pull Handle on Plate



Finish - Shown in Dark Bronze | Available in all Henry Blake Hardware finishes



Handle

Length	Width
350mm	40mm

Backplate

Length	Width	Thickness
600mm	60mm	5mm

Fixings: 6 x Semi domed slotted screws no.6 x 1"

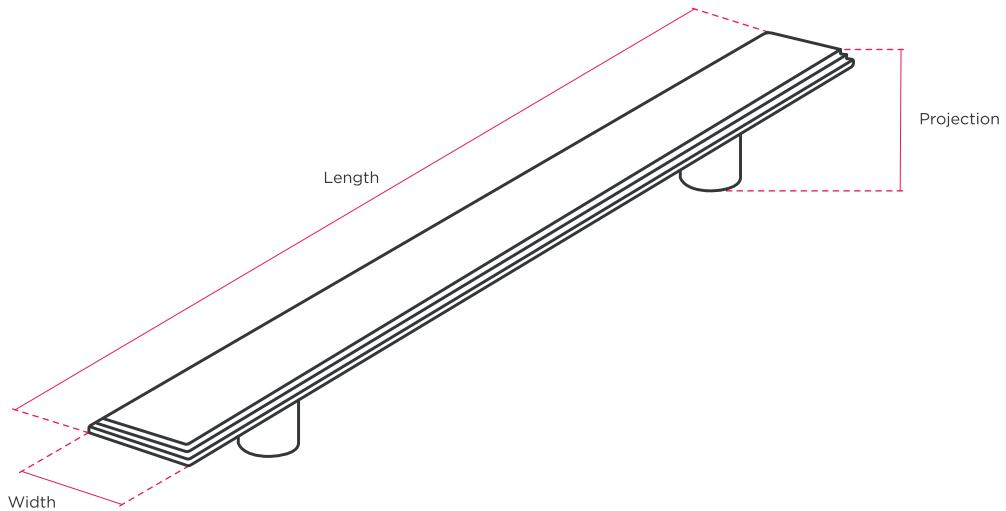
HENRY BLAKE

HARDWARE

Product Code: SK0135 | **Product Name:** Large Art Deco Pull Handle



Finish - Shown in Polished Brass | Available in all Henry Blake Hardware finishes



Length	Width	Projection	Centres
600mm	60mm	56mm	400mm
1000mm	60mm	56mm	600mm
1200mm	60mm	56mm	700mm

Custom sizes available upon request
Available back to back upon request

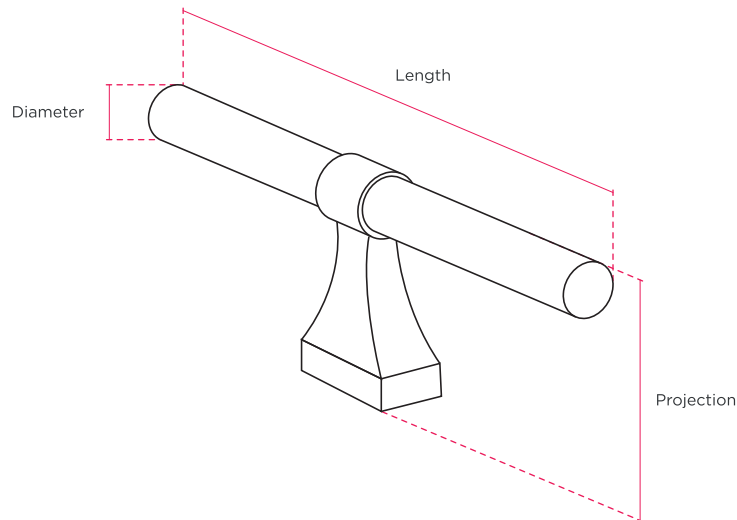
HENRY BLAKE

HARDWARE

Product Code: SK0180 **Product Name:** T-Bar Pull Handle



Finish - Shown in Antique Brass | Available in all Henry Blake Hardware finishes



Fixings: Supplied 1x M10 x 60mm bolts

Base	Length	Diameter	Projection
60mm x 30mm	250mm	25mm	100mm

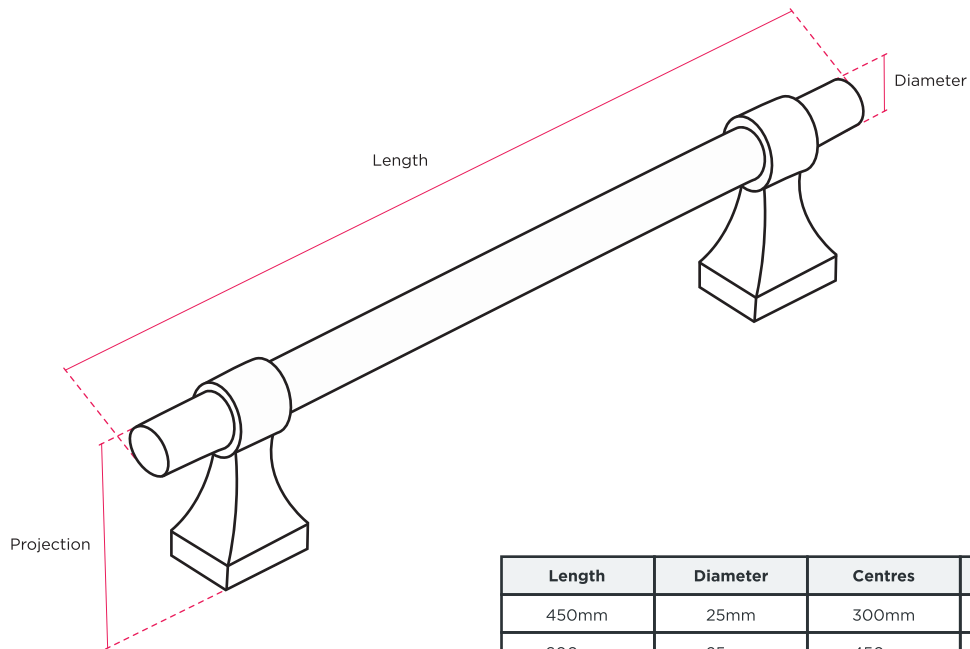
HENRY BLAKE

HARDWARE

Product Code: SK0185 | **Product Name:** Long Pull Handle



Finish - Shown in Antique Brass | Available in all Henry Blake Hardware finishes



Length	Diameter	Centres	Projection
450mm	25mm	300mm	96mm
600mm	25mm	450mm	96mm
750mm	25mm	600mm	96mm
1000mm	25mm	850mm	96mm

Fixings: Supplied 2 x M10 x 60mm Bolts

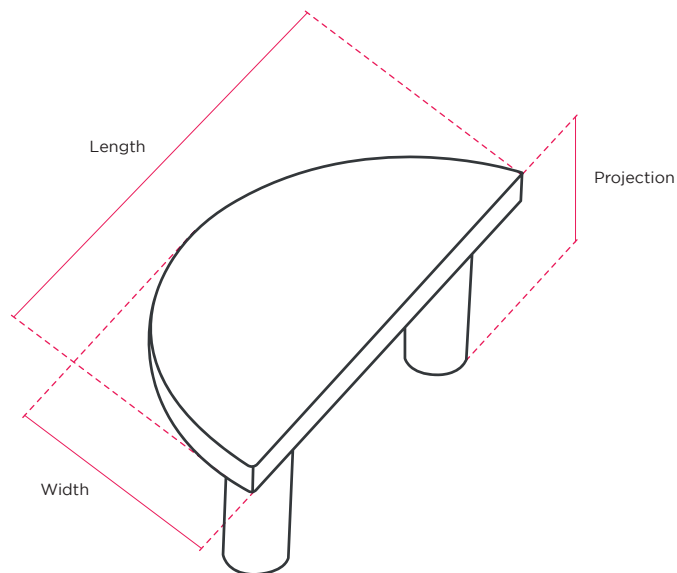
HENRY BLAKE

HARDWARE

Product Code: SK0145 | **Product Name:** Smooth Half Moon Shaped Pull Handle



Finish - Shown in Satin Brass | Available in all Henry Blake Hardware finishes



Length	Projection	Width	Post Diameter	Centres
200mm	45mm	91mm	25mm	130mm
300mm	45mm	137mm	25mm	200mm

Fixings:
Supplied with 2 x M10 x 60mm Bolts.
Sold individually

Custom sizes available upon request
Back to back sets available upon request.

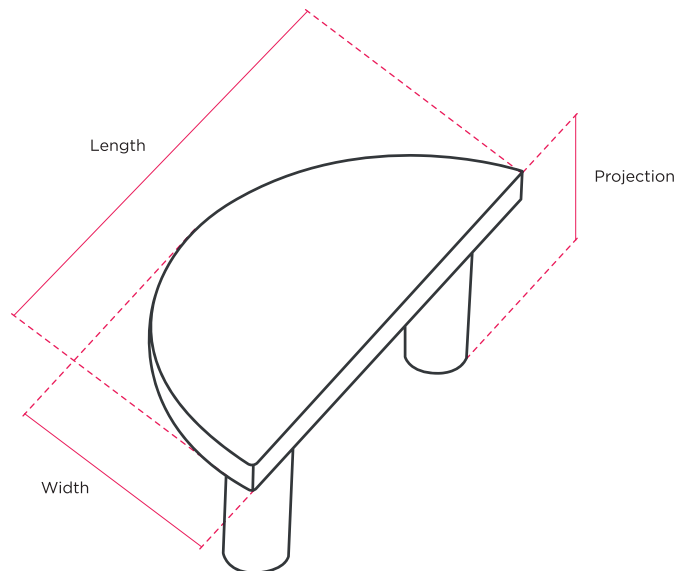
HENRY BLAKE

HARDWARE

Product Code: SK0146 | **Product Name:** Hammered Half Moon Shaped Pull Handle



Finish - Shown in Antique Brass | Available in all Henry Blake Hardware finishes



Length	Projection	Width	Post Diameter	Centres
200mm	45mm	91mm	25mm	130mm
300mm	45mm	137mm	25mm	200mm

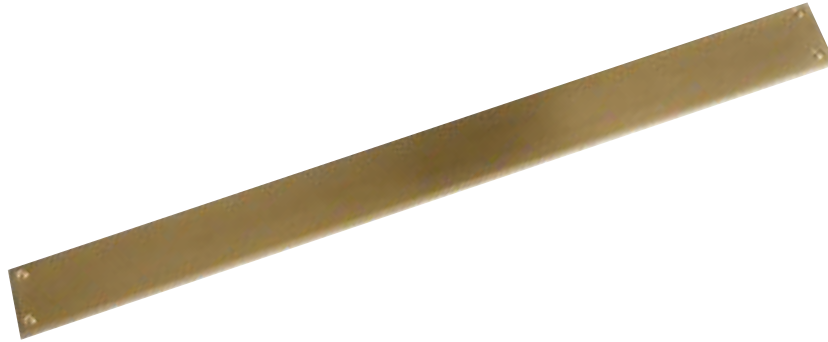
Fixings:
Supplied with 2 x M10 x 60mm Bolts
Sold individually

Custom sizes available upon request
Back to back sets available upon request.

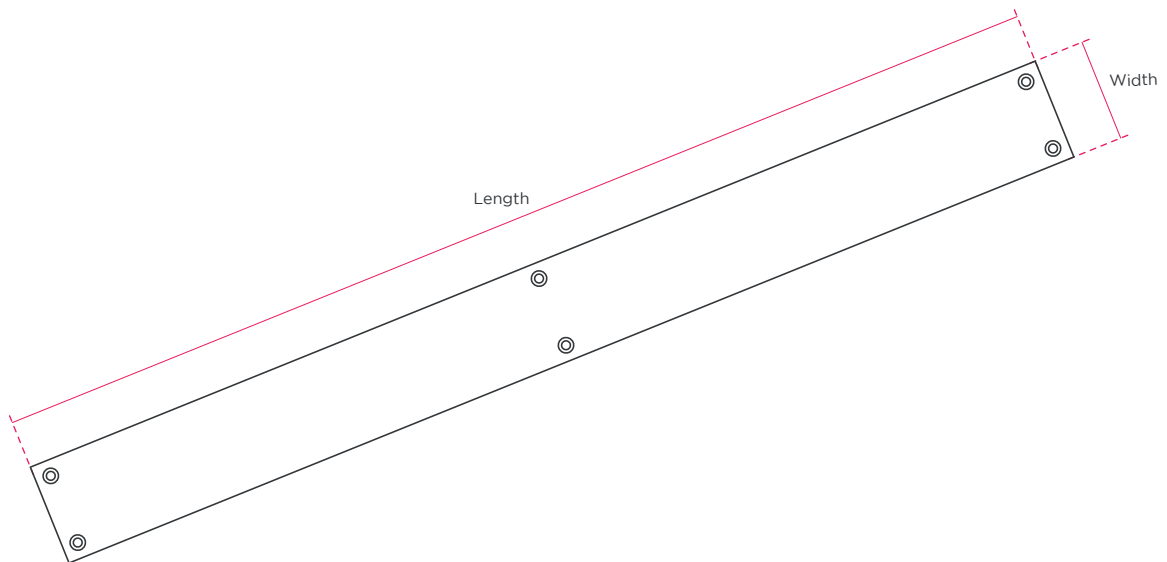
HENRY BLAKE

HARDWARE

Product Code: SK0125 | **Product Name:** Art Deco Push Plate



Finish - Shown in Satin Brass | Available in all Henry Blake Hardware finishes



Length	Width	Thickness
600mm	60mm	5mm

Fixings: 6 x Semi domed slotted screws no.6 x 1"

Custom sizes available upon request

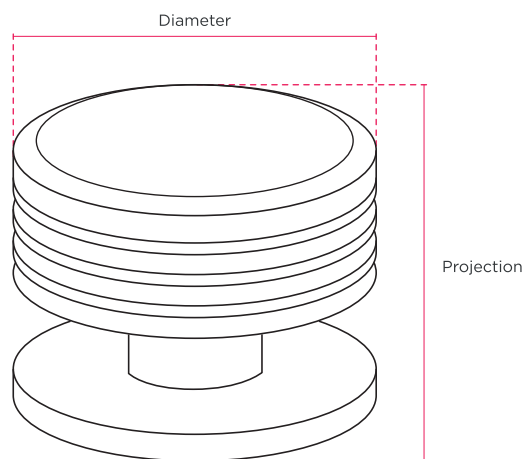
HENRY BLAKE

HARDWARE

Product Code: SK0003 **Product Name:** Fluted Centre Door Knob



Finish - Shown in Antique Brass | Available in all Henry Blake Hardware finishes



Diameter	Projection	Rose
65mm	55mm	65mm
100mm	75mm	100mm

Fixings: Supplied 1x M6 x 60mm machine bolts

Custom sizes available upon request
Available back to back upon request

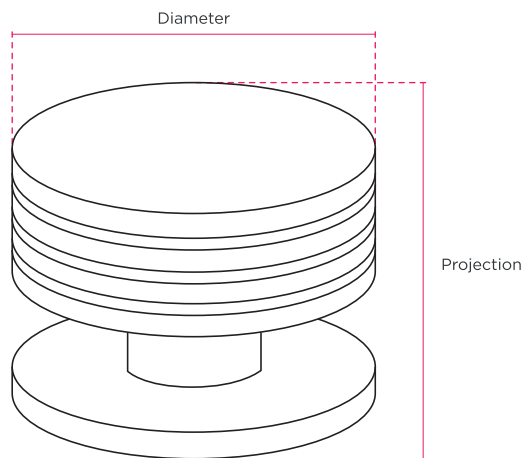
HENRY BLAKE

HARDWARE

Product Code: SK0110 **Product Name:** Ringed Centre Door Knob



Finish - Shown in Matt Bronze Lacquered Finish | Available in all Henry Blake Hardware finishes



Fixings: Supplied 1x M6 x 60mm machine bolts

Diameter	Rose	Projection
65mm	65mm	50mm

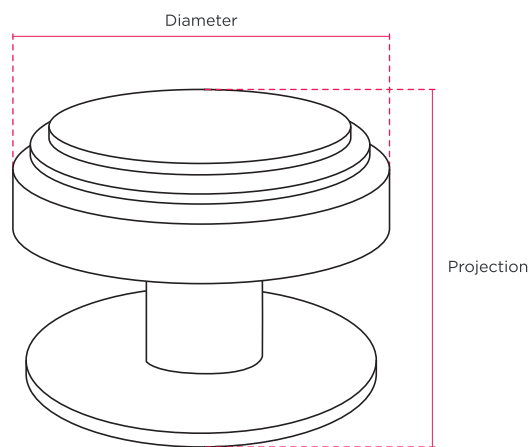
HENRY BLAKE

HARDWARE

Product Code: SK0141 **Product Name:** Stepped Pull Handle



Finish - Shown in Polished Chrome | Available in all Henry Blake Hardware finishes



Diameter	Projection	Rose
60mm	57mm	60mm
100mm	75mm	100mm

Fixings: Supplied 1x M6 x 60mm machine bolts

Custom sizes available upon request
Available back to back upon request

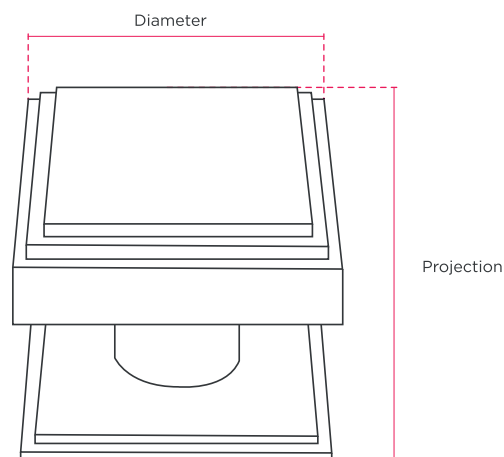
HENRY BLAKE

HARDWARE

Product Code: SK0151 **Product Name:** Deco Square Pull Handle



Finish - Shown in Antique Brass | Available in all Henry Blake Hardware finishes



Fixings: Supplied 1x M6 x 60mm bolts

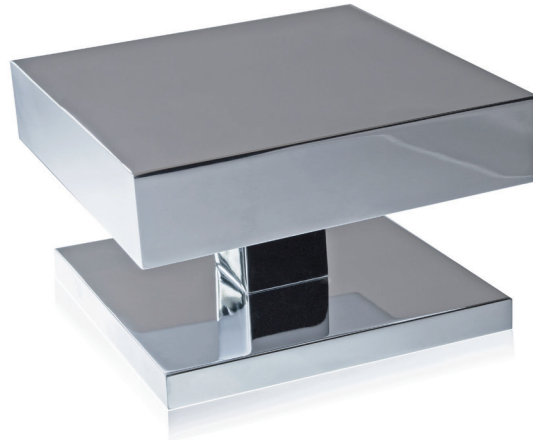
Diameter	Projection	Rose
60x60mm	56mm	60mm

Custom sizes available upon request
Available back to back upon request

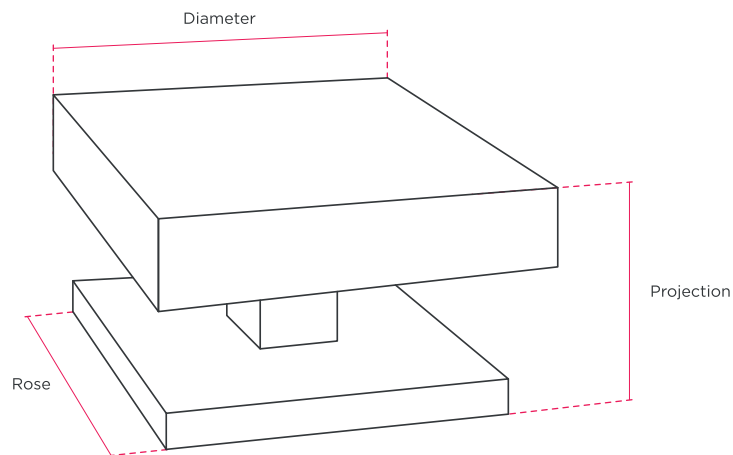
HENRY BLAKE

HARDWARE

Product Code: SK0317 | **Product Name:** Square Pull Handle



Finish - Shown in Polished Chrome | Available in all Henry Blake Hardware finishes



Fixings: Supplied 1x M6 x 60mm bolts

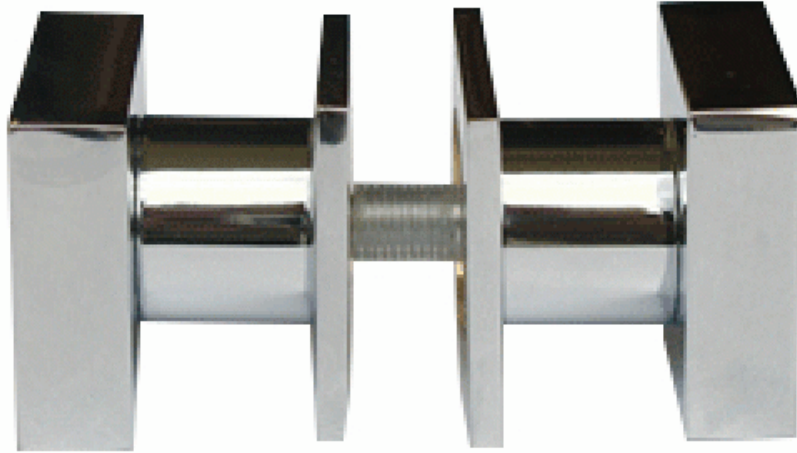
Handle	Projection	Rose
60x60mm	65mm	50x50mm
110x110mm	70mm	100x100mm

Custom sizes available upon request
Available back to back upon request

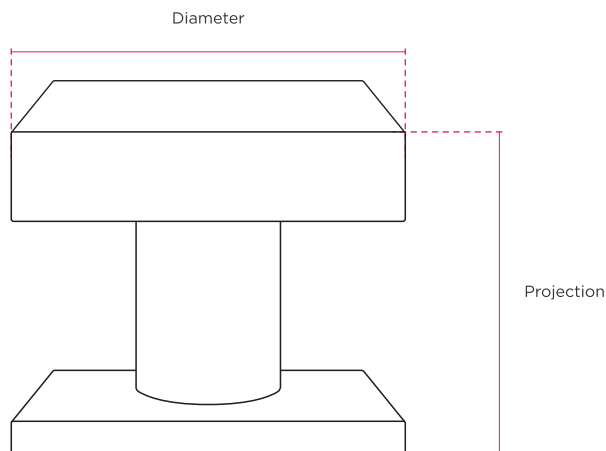
HENRY BLAKE

HARDWARE

Product Code: SK0031 | **Product Name:** Back to Back Square Pull



Finish - Shown in Polished Chrome | Available in all Henry Blake Hardware finishes



Projection	Diameter	Rose
30mm	30mm	30mm
35mm	40mm	40mm
40mm	50mm	50mm

Custom sizes available upon request
Available back to back upon request

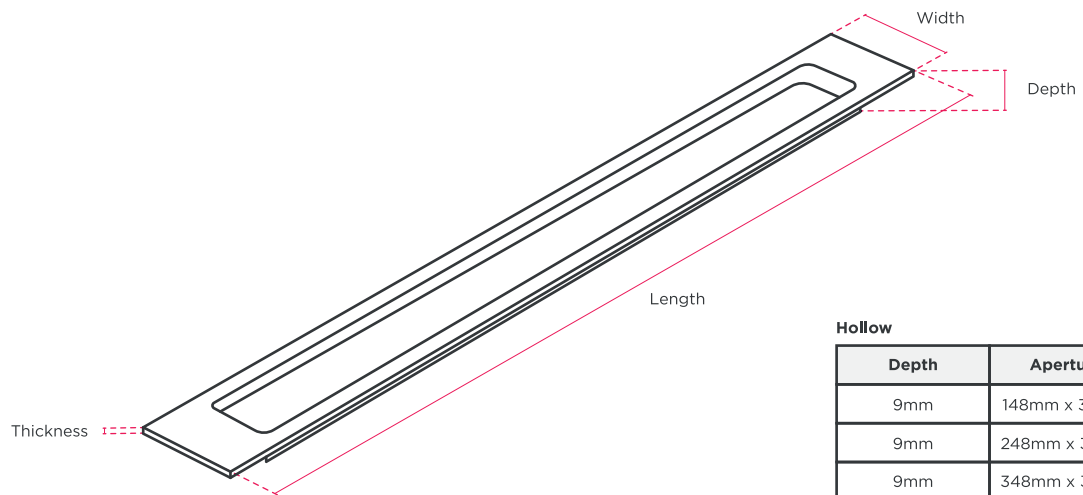
HENRY BLAKE

HARDWARE

Product Code: SK2600 | **Product Name:** Plain Flush Pull Handle



Finish - Shown in Antique Brass | Available in all Henry Blake Hardware finishes



Hollow

Depth	Aperture
9mm	148mm x 30mm
9mm	248mm x 30mm
9mm	348mm x 30mm

Plate

Length	Width	Thickness
200mm	50mm	3mm
300mm	50mm	3mm
400mm	50mm	3mm

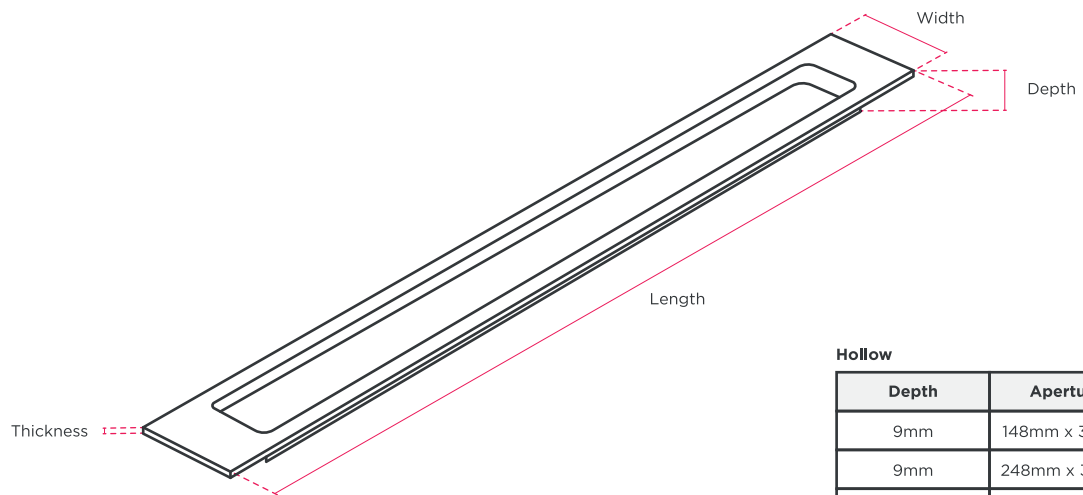
HENRY BLAKE

HARDWARE

Product Code: SK2610 | **Product Name:** Stepped Flush Pull Handle



Finish - Shown in Dark Bronze | Available in all Henry Blake Hardware finishes



Hollow

Depth	Aperture
9mm	148mm x 30mm
9mm	248mm x 30mm
9mm	348mm x 30mm

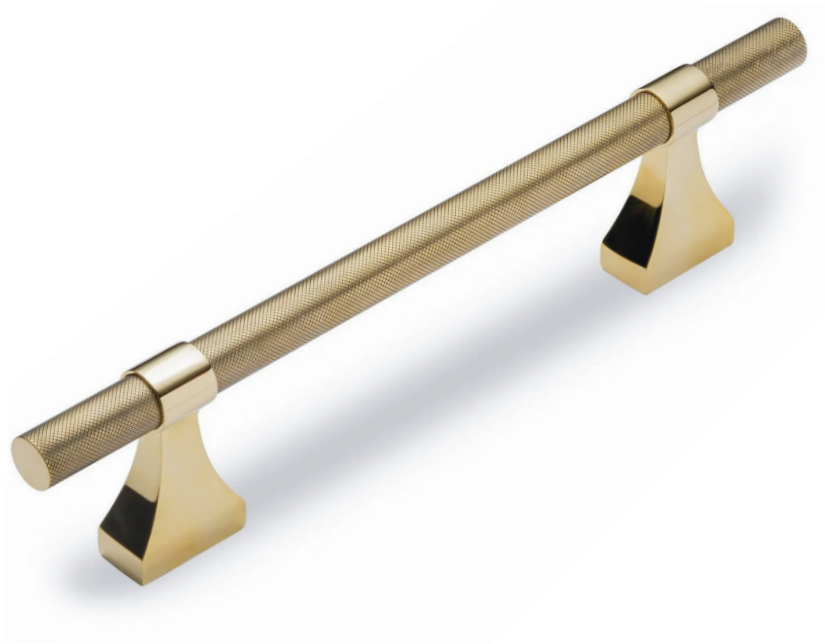
Plate

Length	Width	Thickness
200mm	50mm	3mm
300mm	50mm	3mm
400mm	50mm	3mm

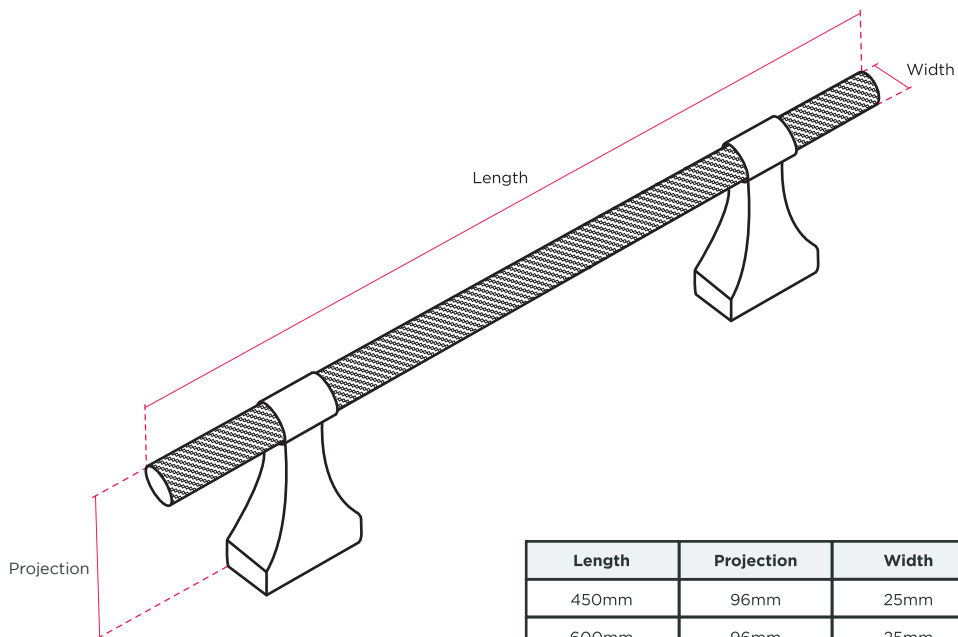
HENRY BLAKE

HARDWARE

Product Code: SK0187 | **Product Name:** Knurled Bar Pull Handle on Shaped Stems



Finish - Shown in Polished Brass | Available in all Henry Blake Hardware finishes



Length	Projection	Width	Centres
450mm	96mm	25mm	300mm
600mm	96mm	25mm	450mm
750mm	96mm	25mm	600mm
900mm	96mm	25mm	750mm

Fixings: Supplied 2x M10 x 60mm bolts

Custom sizes available upon request
Back to back sets available upon request.

Lever Handles



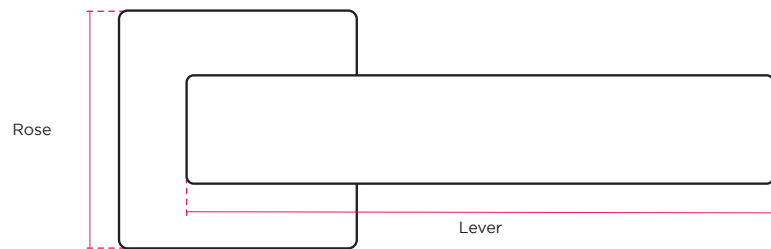
HENRY BLAKE

HARDWARE

Product Code: SK1000 | **Product Name:** Pair Square Lever Handles



Finish - Shown in Polished Chrome | Available in all Henry Blake Hardware finishes



Levers are unsprung & require heavy duty latch or lock.

Rose	Thickness	Lever Length	Projection
54mm x 54mm	7mm	122mm	45mm

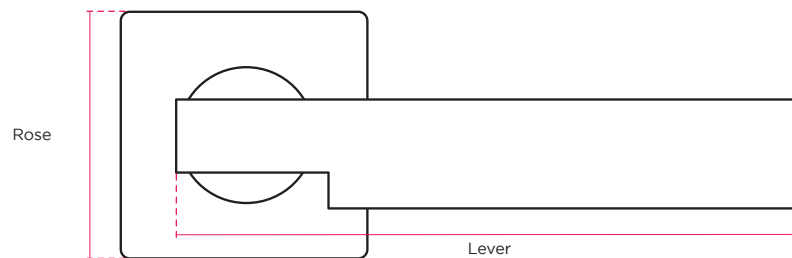
HENRY BLAKE

HARDWARE

Product Code: SK1020 | **Product Name:** Art Deco Style Lever on Square Rose



Finish - Shown in Polished Chrome | Available in all Henry Blake Hardware finishes



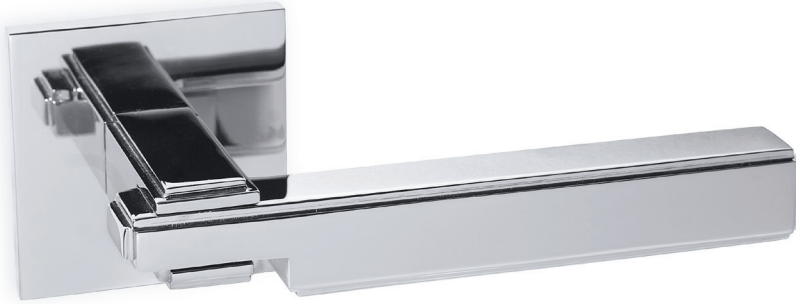
Levers are unsprung & require heavy duty latch or lock.

Rose	Thickness	Lever Length	Projection
54mm x 54mm	7mm	135mm	50mm

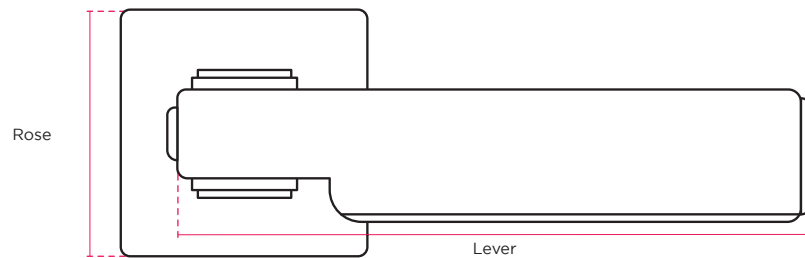
HENRY BLAKE

HARDWARE

Product Code: SK1010 | **Product Name:** Art Deco Style Lever on Square Rose



Finish - Shown in Polished Chrome | Available in all Henry Blake Hardware finishes



Levers are unsprung & require heavy duty latch or lock.

Rose	Thickness	Lever Length	Projection
54mm x 54mm	7mm	135mm	50mm

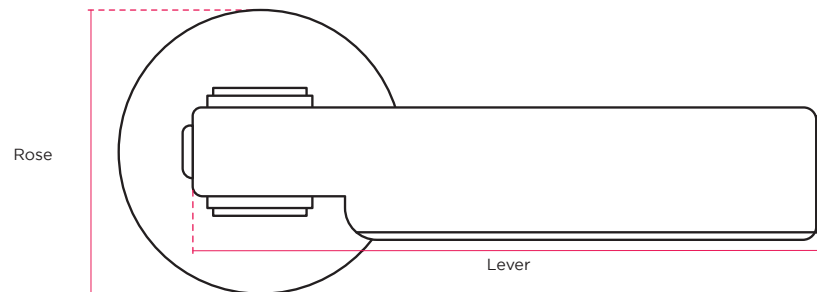
HENRY BLAKE

HARDWARE

Product Code: SK1011 | **Product Name:** Deco Style Lever on Round Rose



Finish - Shown in Polished Chrome | Available in all Henry Blake Hardware finishes



Levers are unsprung & require heavy duty latch or lock.

Rose	Thickness	Lever Length	Projection
54mm x 54mm	6mm	135mm	50mm

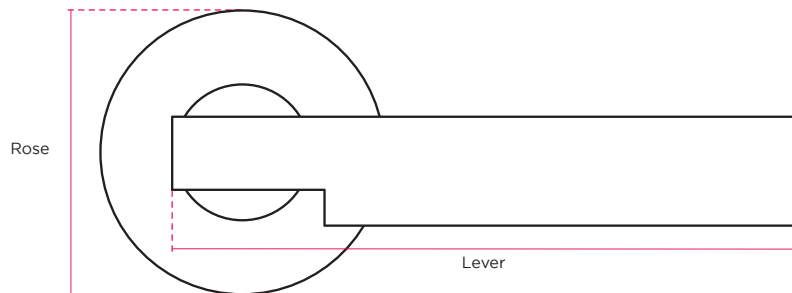
HENRY BLAKE

HARDWARE

Product Code: SK1021 | **Product Name:** Deco Style Lever on Round Rose



Finish - Shown in Polished Chrome | Available in all Henry Blake Hardware finishes



Levers are unsprung & require heavy duty latch or lock.

Rose	Thickness	Lever Length	Projection
54mm x 54mm	6mm	135mm	50mm

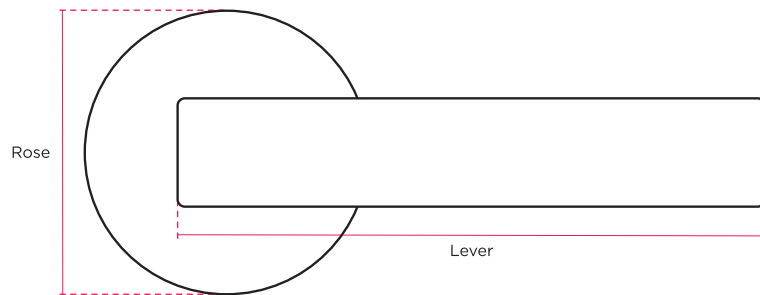
HENRY BLAKE

HARDWARE

Product Code: SK1001 | **Product Name:** Pair Square Lever Handles with round rose



Finish - Shown in Polished Chrome | Available in all Henry Blake Hardware finishes



Levers are unsprung & require heavy duty latch or lock.

Rose	Thickness	Lever Length	Projection
54mm x 54mm	7mm	122mm	45mm

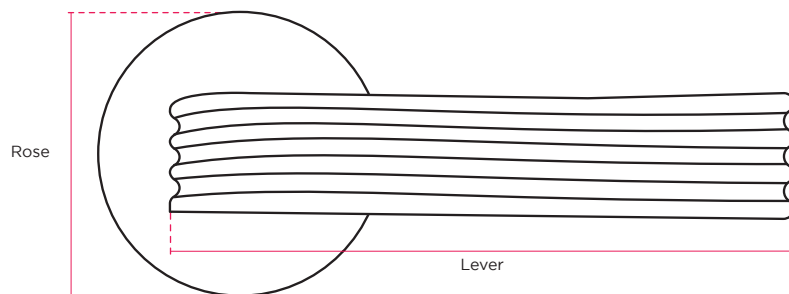
HENRY BLAKE

HARDWARE

Product Code: SK1030 | **Product Name:** Art Deco Fluted Lever on Round Rose



Finish - Shown in Antique Brass | Available in all Henry Blake Hardware finishes



Levers are unsprung & require heavy duty latch or lock.

Rose	Thickness	Lever Length	Projection
54mm x 54mm	6mm	128mm	60mm

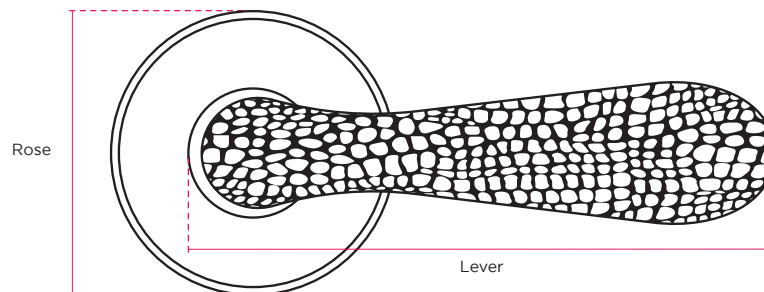
HENRY BLAKE

HARDWARE

Product Code: SK1040 | **Product Name:** Hammered Lever on Round Rose



Finish - Shown in Matt Bronze Lacquered | Available in all Henry Blake Hardware finishes



Levers are unsprung & require heavy duty latch or lock.

Rose	Thickness	Lever Length	Projection
56mm x 56mm	7mm	145mm	60mm

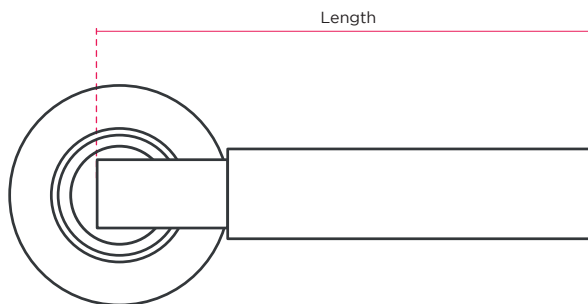
HENRY BLAKE

HARDWARE

Product Code: SK1050 | **Product Name:** Pair Bauhaus Lever Handles



Finish - Shown in Dark Bronze | Available in all Henry Blake Hardware finishes



Rose	Lever Length	Lever Projection:
50mm	123mm	72mm

Levers are supplied on a sprung rose

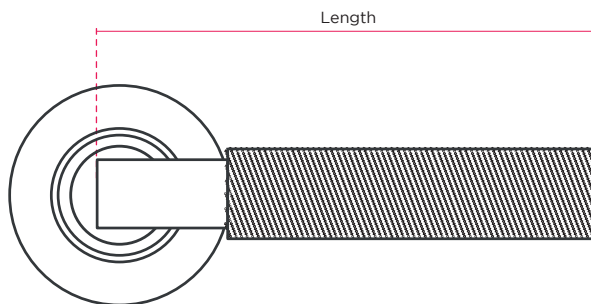
HENRY BLAKE

HARDWARE

Product Code: SK1060 | **Product Name:** Pair Warehouse Lever Handles



Finish - Shown in Polished Brass | Available in all Henry Blake Hardware finishes



Rose	Lever Length	Lever Projection:
50mm	123mm	72mm

Levers are supplied on a sprung rose

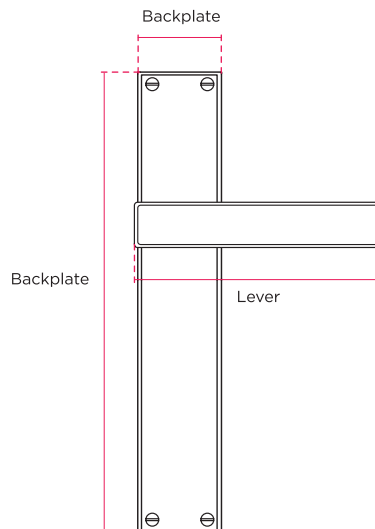
HENRY BLAKE

HARDWARE

Product Code: SK1044 | **Product Name:** Textured Lever on Long Plate



Finish - Shown in Antique Brass | Available in all Henry Blake Hardware finishes



Levers are unsprung & require heavy duty latch or lock. Available as Latch, Lock, Euro Profile or Bathroom Function

Backplate	Thickness	Lever Length	Projection
260mm x 48mm	6mm	126mm	42mm

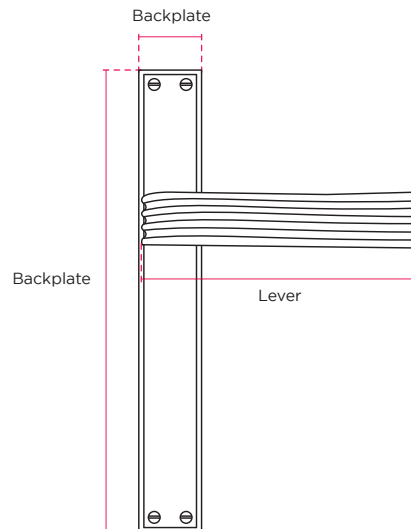
HENRY BLAKE

HARDWARE

Product Code: SK1033 | **Product Name:** Art Deco Fluted Lever on Slim Stepped plate



Finish - Shown in Antique Brass | Available in all Henry Blake Hardware finishes



Levers are unsprung & require heavy duty latch or lock. Available as Latch, Lock, Euro Profile or Bathroom Function

Backplate	Thickness	Lever Length	Projection
254mm x 35mm	6mm	130mm	60mm

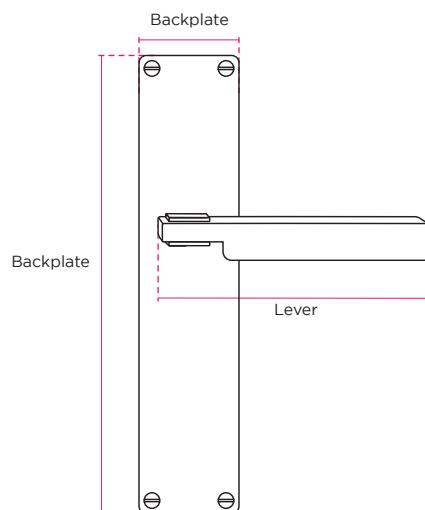
HENRY BLAKE

HARDWARE

Product Code: SK1012 | **Product Name:** Art Deco Lever on Long Plate



Finish - Shown in Polished Chrome | Available in all Henry Blake Hardware finishes



Levers are unsprung & require heavy duty latch or lock. Available as Latch, Lock, Euro Profile or Bathroom Function

Backplate	Thickness	Lever Length	Projection
254mm x 50mm	6mm	135mm	50mm

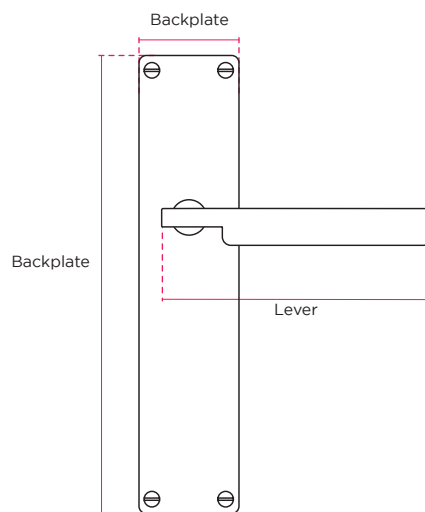
HENRY BLAKE

HARDWARE

Product Code: SK1022 | **Product Name:** Art Deco Style Lever on Long Plate



Finish - Shown in Polished Chrome | Available in all Henry Blake Hardware finishes



Levers are unsprung & require heavy duty latch or lock. Available as Latch, Lock, Euro Profile or Bathroom Function

Backplate	Thickness	Lever Length	Projection
254mm x 50mm	6mm	135mm	50mm

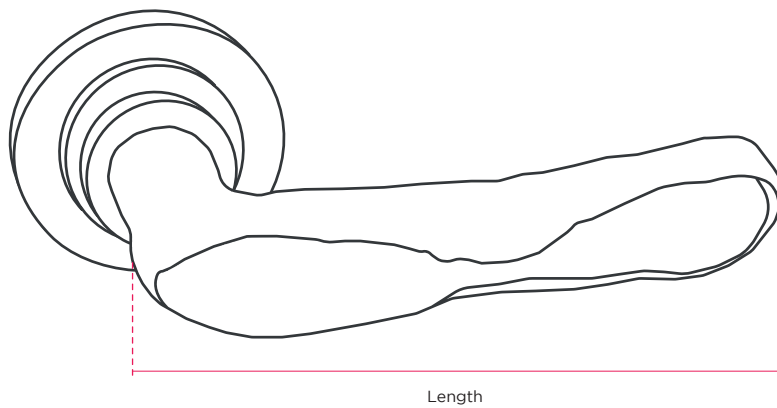
HENRY BLAKE

HARDWARE

Product Code: SK1070 | **Product Name:** Organic Lever Handles



Finish - Shown in Polished Brass | Available in all Henry Blake Hardware finishes



Pair of UNSPRUNG lever handles on a rose.
This handle comes on a 50mm round rose.

Length	Projection	Rose
113mm	45mm	50mm

Mortice Knobs



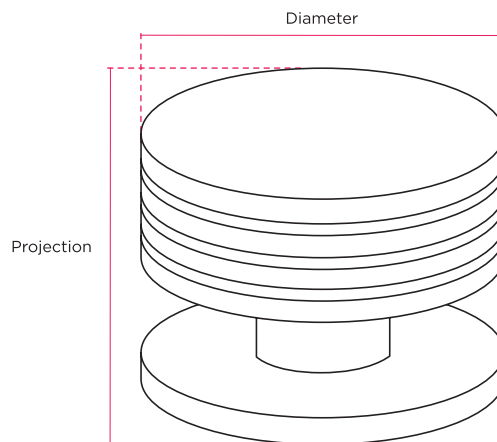
HENRY BLAKE

HARDWARE

Product Code: SK5001 | **Product Name:** Ringed Mortice Knob



Finish - Shown in Matt Bronze Lacquered | Available in all Henry Blake Hardware finishes



Sold as Pairs. Supplied Unsprung and will require a heavy duty latch.

Diameter	Rose	Projection
65mm	65mm	50mm

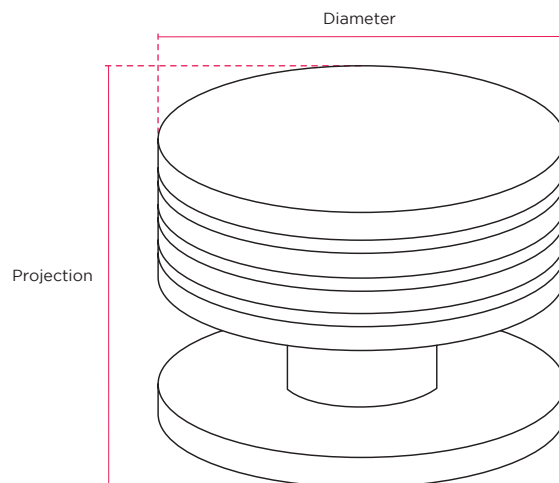
HENRY BLAKE

HARDWARE

Product Code: SK5002 | **Product Name:** Dome Ringed Mortice Knob



Finish - Shown in Polished Chrome | Available in all Henry Blake Hardware finishes



Sold as Pairs. Supplied Unsprung and will require a heavy duty latch.

Diameter	Rose	Projection
54mm	54mm	55mm

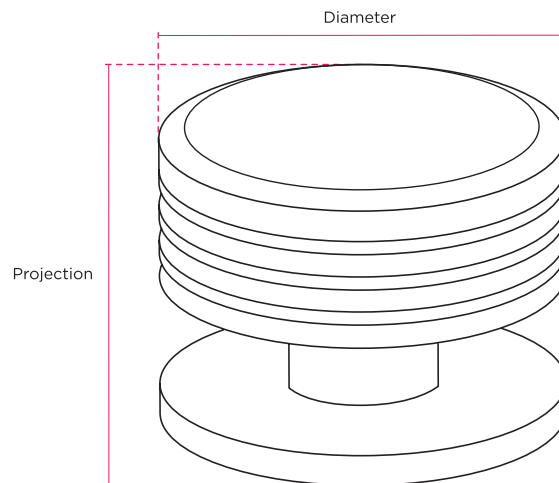
HENRY BLAKE

HARDWARE

Product Code: SK5003 | **Product Name:** Fluted Mortice Knob



Finish - Shown in Polished Chrome | Available in all Henry Blake Hardware finishes



Sold as Pairs, Supplied Unsprung and will require a heavy duty latch.

Diameter	Rose	Projection
65mm	65mm	55mm

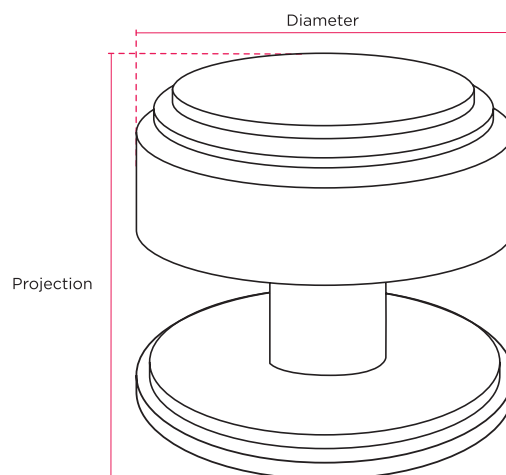
HENRY BLAKE

HARDWARE

Product Code: SK5141 | **Product Name:** Round Deco Mortice Knob



Finish - Shown in Polished Nickel | Available in all Henry Blake Hardware finishes



Sold as Pairs. Supplied Unsprung and will require a heavy duty latch.

Diameter	Rose	Projection
60mm	60mm	60mm

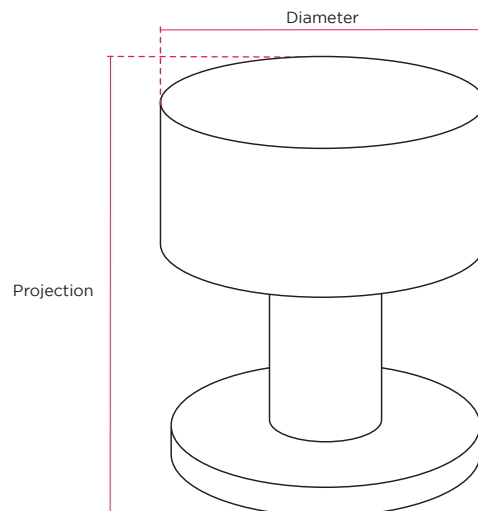
HENRY BLAKE

HARDWARE

Product Code: SK5112 | **Product Name:** Round Mortice Knob



Finish - Shown in Polished Chrome | Available in all Henry Blake Hardware finishes



Sold as Pairs. Supplied Unsprung and will require a heavy duty latch.

Diameter	Rose	Projection
54mm	54mm	65mm

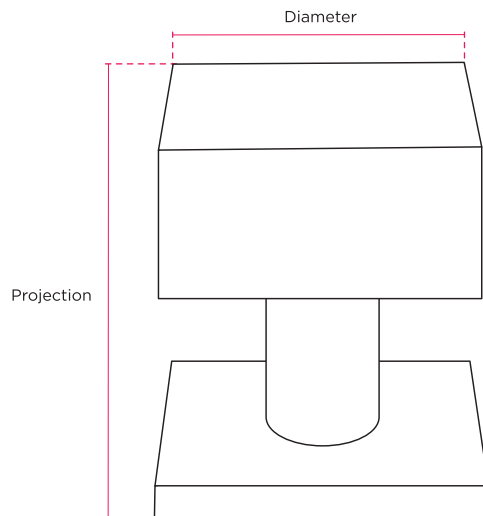
HENRY BLAKE

HARDWARE

Product Code: SK5121 | **Product Name:** Square Mortice Knob



Finish - Shown in Polished Brass | Available in all Henry Blake Hardware finishes



Sold as Pairs. Supplied Unsprung and will require a heavy duty latch.

Diameter	Rose	Projection
54mm	54mm	65mm

Accessories



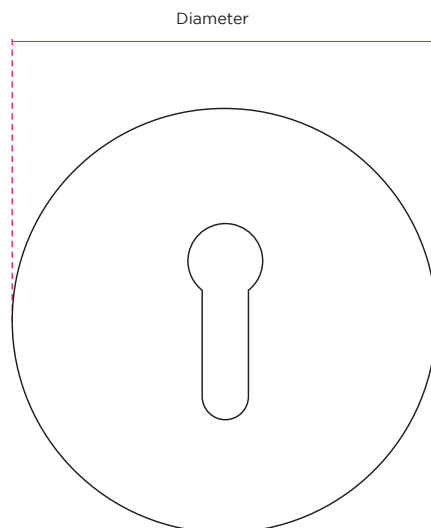
HENRY BLAKE

HARDWARE

Product Code: SK2506 | **Product Name:** Round Escutcheon



Finish - Shown in Matt Bronze Lacquered | Available in all Henry Blake Hardware finishes



Available in standard UK or Euro Lock Profile.

Diameter	Thickness
50mmx50mm	6mm

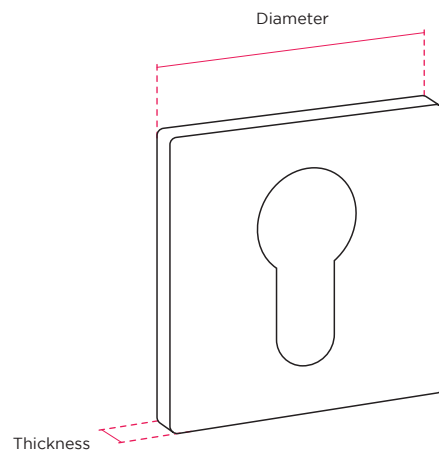
HENRY BLAKE

HARDWARE

Product Code: SK2505 | **Product Name:** Square Escutcheon



Finish - Shown in Satin Nickel | Available in all Henry Blake Hardware finishes



Available in standard UK or Euro Lock Profile.

Diameter	Thickness
50mmx50mm	6mm

HENRY BLAKE

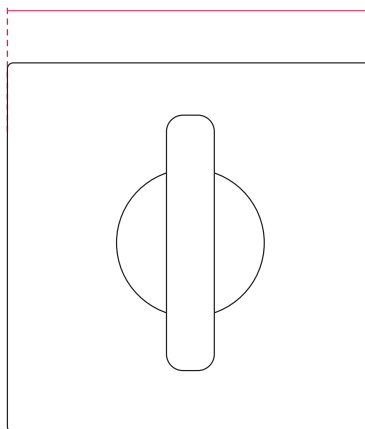
HARDWARE

Product Code: SK2501 | **Product Name:** Bathroom Turn & Release



Finish - Shown in Polished Chrome | Available in all Henry Blake Hardware finishes

Diameter



Diameter	Thickness	Spindle Size
50mmx50mm	6mm	5mm

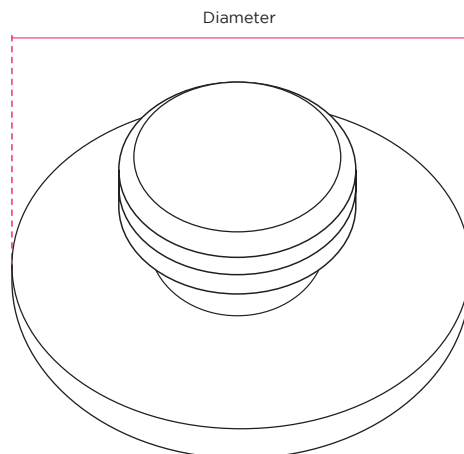
HENRY BLAKE

HARDWARE

Product Code: SK2502 | **Product Name:** Round Bathroom Turn & Release



Finish - Shown in Polished Chrome | Available in all Henry Blake Hardware finishes

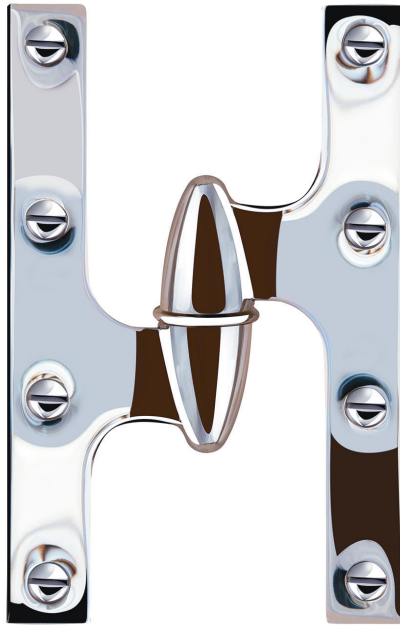


Diameter	Thickness	Spindle Size
50mmx50mm	6mm	5mm

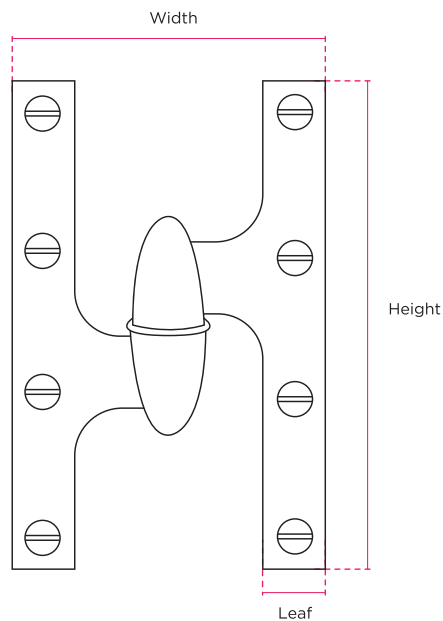
HENRY BLAKE

HARDWARE

Product Code: SK2106 | **Product Name:** Large Olive Knuckle Hinge



Finish - Shown in Polished Chrome | Available in all Henry Blake Hardware finishes



Sold individually with matching screws.

Height	Width	Thickness	Hinge Leaf
151mm	96mm	6mm	20mm

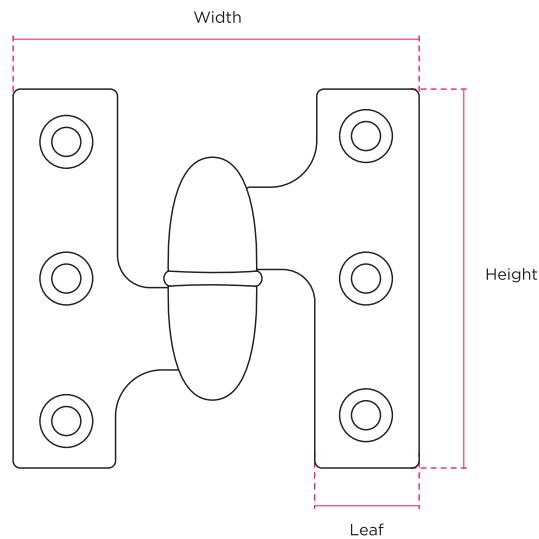
HENRY BLAKE

HARDWARE

Product Code: SK2107 | **Product Name:** Small Olive Knuckle Hinge



Finish - Shown in Polished Chrome | Available in all Henry Blake Hardware finishes



Sold individually with matching screws.

Height	Width	Thickness	Hinge Leaf
50mm	54mm	2.5mm	14mm

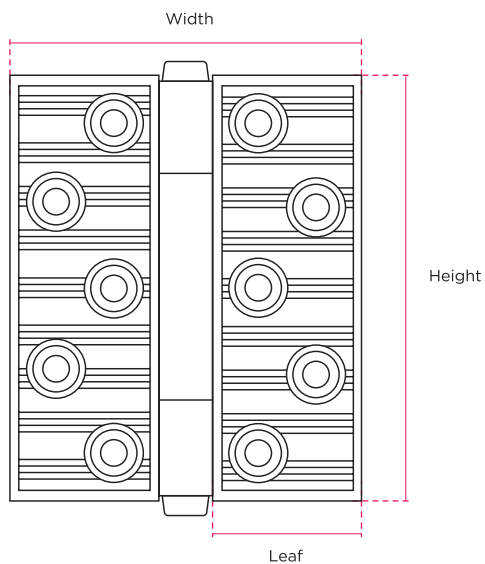
HENRY BLAKE

HARDWARE

Product Code: SK2108 | **Product Name:** Art Deco Door Hinge



Finish - Shown in Antique Brass | Available in all Henry Blake Hardware finishes



Sold Individually with matching screws. Max. Load Bearing 160kg based on 3 hinges per door.

Height	Width	Thickness	Hinge Leaf
100mm	75mm	3.5mm	31mm

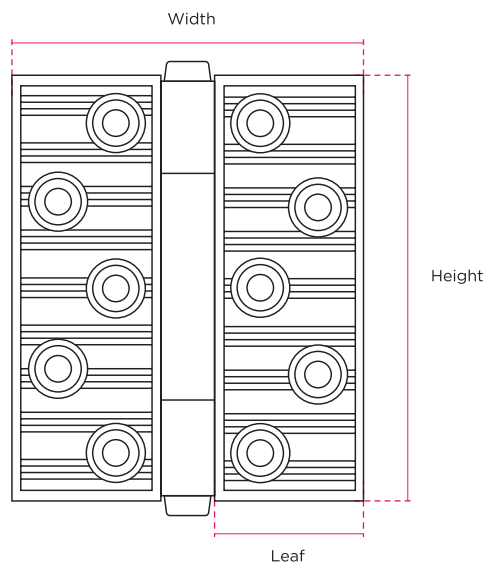
HENRY BLAKE

HARDWARE

Product Code: SK2109 | **Product Name:** Art Deco Finial Door Hinge



Finish - Shown in Polished Chrome | Available in all Henry Blake Hardware finishes



Sold Individually with matching screws. Max. Load Bearing 160kg based on 3 hinges per door.

Height	Width	Thickness	Hinge Leaf
100mm	75mm	3.5mm	31mm

Contact

Tel: +44 (0)1386 48326

Fax: +44 (0)1386 49975

Email: sales@henryblakehardware.co.uk

www.henryblakehardware.co.uk

Unit 4 Ratio Point,
St Richards Road, Evesham,
Worcestershire, WR11 1ZG